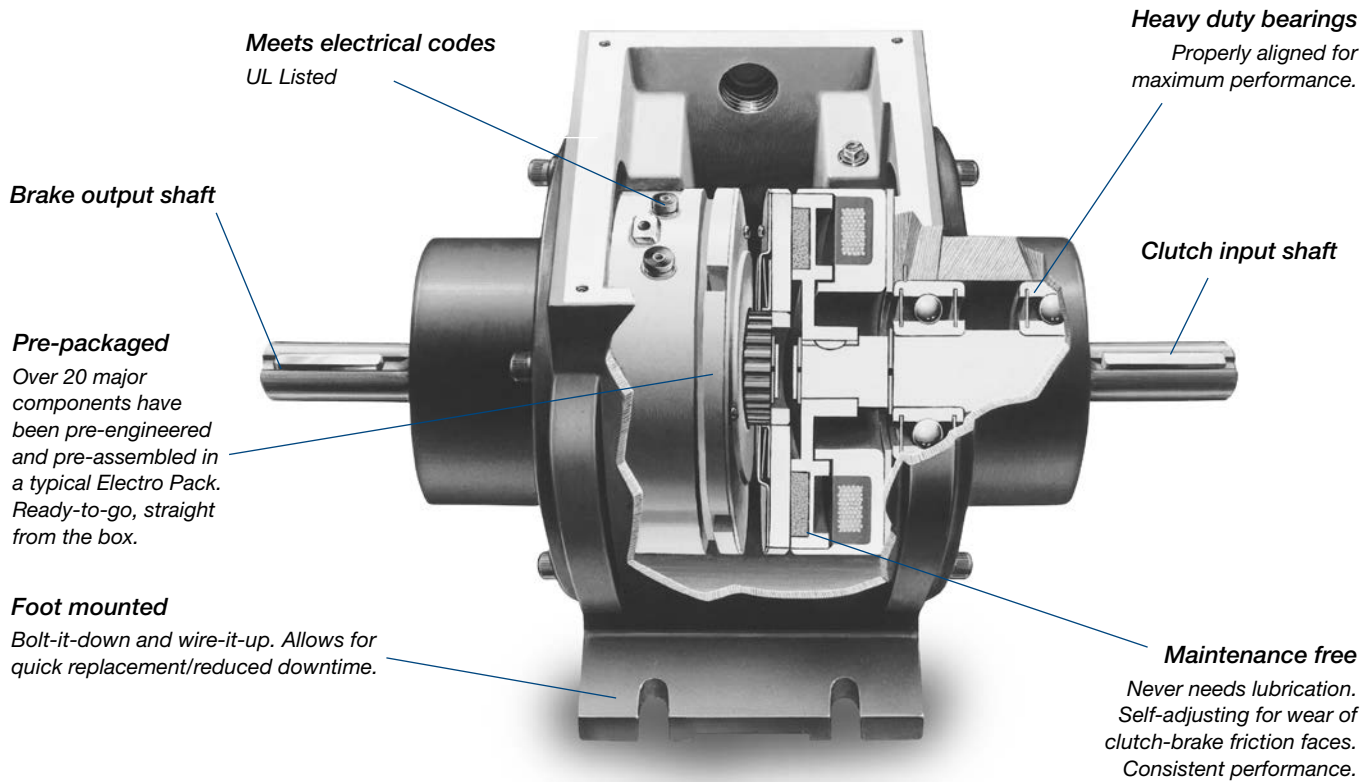


# EP Series Electro Pack

## Base Mounted Clutch/Brake Combinations in a Rugged Housing



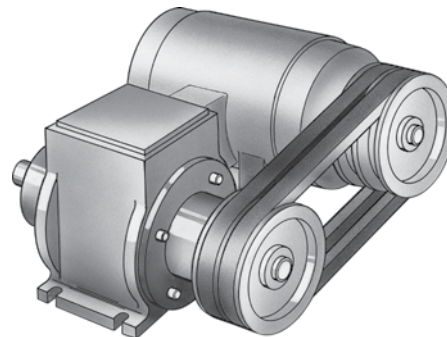
Electro Packs are rugged, pre-assembled clutch and brake combinations in an enclosed, foot mounted housing.

They are factory aligned and pre-assembled and have been designed to mate easily with industry standard motors and reducers with v-belts, pulleys, chain and sprockets, in line couplings and timing belt drives.

### Features

- Bolt-it-down and wire-it-up . . . it's ready to go!
- Maintenance free
- A wide torque range from 15 lb. in. to 1350 lb. ft.

### Typical Application



A foot mounted Electro Pack combines with a motor in a parallel shaft drive application.

## Selection/Ordering Information

### Horsepower vs. Shaft Speed

HP ▼	SHAFT SPEED AT CLUTCH (IN RPM)																					
	100	200	300	400	500	600	700	800	900	1000	1100	1200	1500	1800	2000	2400	3000	3600	4000	4500	5000	
1/50																						
1/20																						
1/12																						
1/8																						
1/6																						
1/4																						
1/3																						
1/2																						
3/4																						
1																						
1-1/2																						
2																						
3																						
5																						
7-1/2																						
10																						
15																						
20																						
25																						
30																						
40																						

\*For applications with speeds below 100RPM, please contact Warner Electric Application Support.

### Selection Procedure

Determine the shaft speed at the Electro Pack location. The number listed at the intersection of horsepower and speed is the size Electro Pack you require.

### Part Numbers

Model No.	Voltage DC	Part No.
EP-170	6	5633-273-002
	24	5633-273-003
	90	5633-273-005
EP-250	6	5130-273-031
	24	5130-273-032
	90	5130-273-034
EP-400	6	5131-273-009
	24	5131-273-010
	90	5131-273-011
EP-500	6	5230-273-003
	24	5230-273-011
	90	5230-273-002
EP-825	6	5231-273-003
	24	5231-273-004
	90	5231-273-002
EP-1000	6	5232-273-003
	24	5232-273-005
	90	5232-273-002
EP-1525	6	5234-273-003
	90	5234-273-002
	EP-1525HT	24
90		5234-273-012

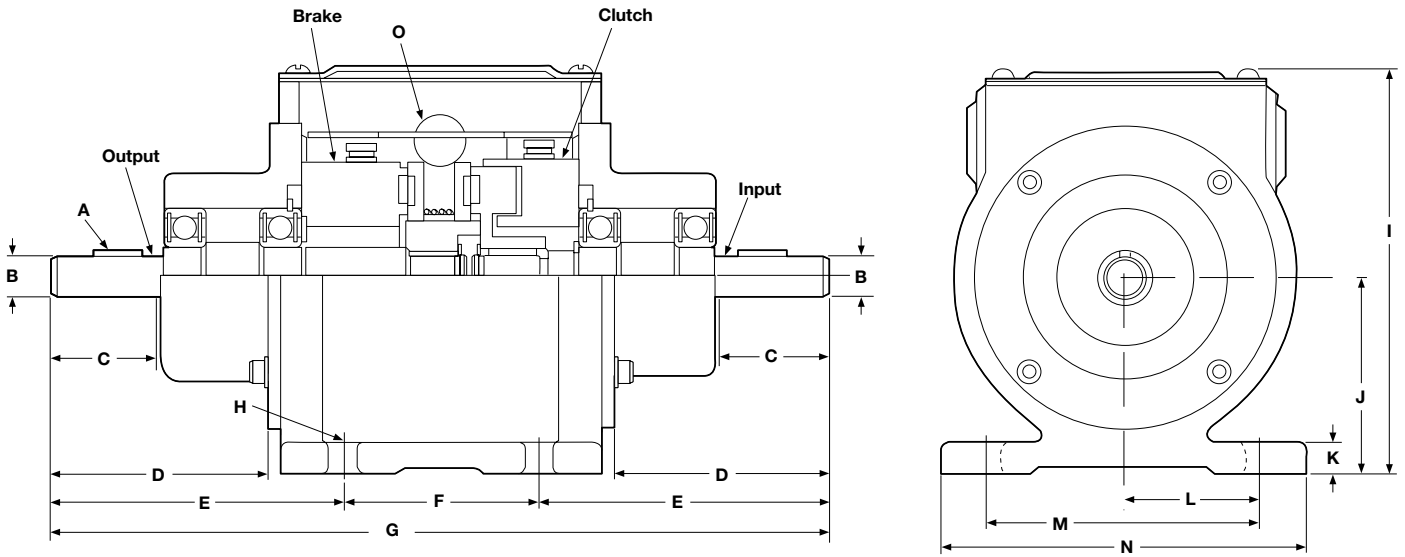
When ordering, specify size, voltage, and part numbers.

### Specifications

Electro-Pack Size	Horsepower @ 1800 RPM	Static Torque	Max. RPM	Voltage DC
EP-170	1/8	15 lb. in.	10,000	6, 24 or 90
EP-250	1/2	70 lb. in.	7,500	6, 24 or 90
EP-400	1	270 lb. in.	4,500	6, 24 or 90
EP-500	2	50/40 lb. ft.	4,000	6, 24 or 90
EP-825	7-1/2	125 lb. ft.	3,600	6, 24 or 90
EP-1000	10	240 lb. ft.	3,000	6, 24 or 90
EP-1525	25	700 lb. ft.	1,800	6 or 90
EP-1525HT	40	1350 lb. ft. clutch 700 lb. ft. brake	1,800	24, 90

# EP Series Electro Pack

## EP-170, EP-250, EP-400



### Dimensions

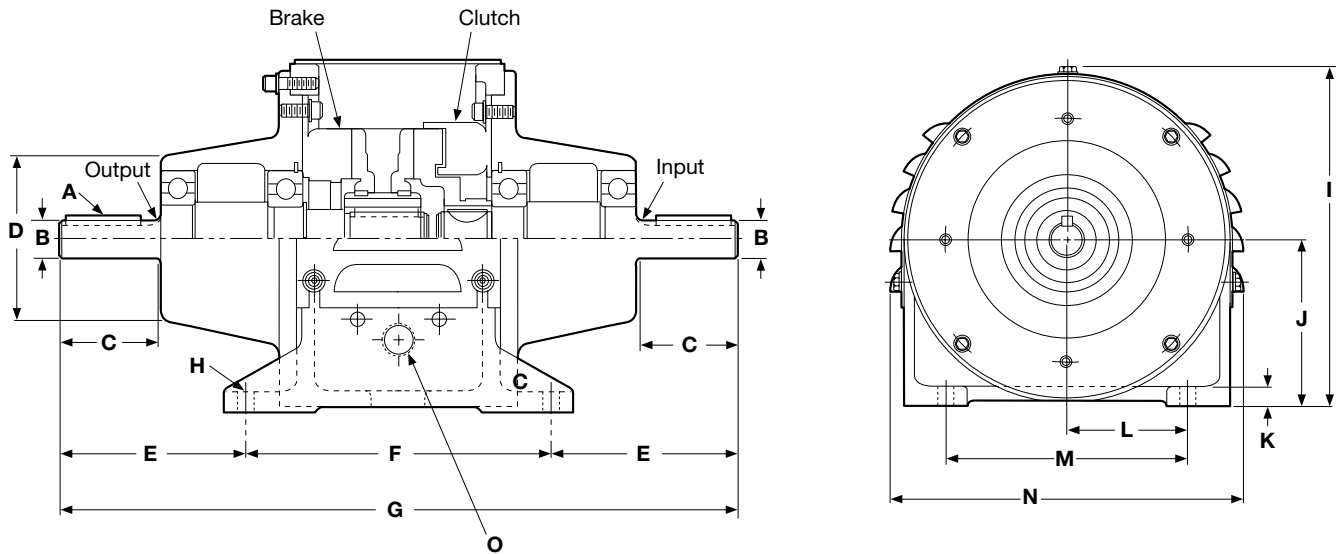
All dimensions are nominal, unless otherwise noted.

Size	A	B	C Min.	D	E	F	G Max.	H	I	J	K	L	M	N	O
170	3/32 x 3/64	.3745 Dia.	.750	1.406	2.203	1.500	6.000	.250 Wide (4 slots)	3.437	$\frac{1.662}{1.652}$	.312	1.110	2.220	3.250	1/2 14 NPT Conduit x 2
250	1/8 x 1/16	.4995 Dia.	1.250	2.468	3.312	2.250	8.968	.312 Wide (4 slots)	5.281	$\frac{2.318}{2.308}$	.375	1.625	3.250	4.250	1/2 14 NPT Conduit x 2
400	3/16 x 3/16 x 1-1/2	.7495 Dia.	1.875	3.515	4.593	2.500	11.781	.312 Wide (4 slots)	6.937	$\frac{3.474}{3.464}$	.500	2.578	5.156	6.000	1/2 14 NPT Conduit x 2

### Specifications

Model Size	Voltage DC	Static Torque lb. in.	Inertia* -WR <sup>2</sup> (lb-in <sup>2</sup> )			Max. RPM	Weight lbs.
			Output	Input			
EP-170	6	15	.031	.036	10,000	2.5	
	24	15	.031	.036	10,000	2.5	
	90	15	.031	.036	10,000	2.5	
EP-250	6	70	.331	.293	7,500	7.1	
	24	70	.331	.293	7,500	7.1	
	90	70	.331	.293	7,500	7.1	
EP-400	6	270	2.566	2.222	4,500	19.7	
	24	270	2.566	2.222	4,500	19.7	
	90	270	2.566	2.222	4,500	19.7	

For Information on Coil Data see page G-10, SF/PB units of the appropriate size.



### Dimensions

All dimensions are nominal, unless otherwise noted.

Size	A	B Dia.	C Min.	D Max. Dia.	E	F	G Max.	H Dia.	I	J	K	L	M	N Max.	O
500	3/16 x	.8750	2.218	3.796	4.234	7.000	15.515	.406	8.218	4.004	.500	2.937	5.875	8.734	1/2 NPT Conduit x 2
	1-3/4														

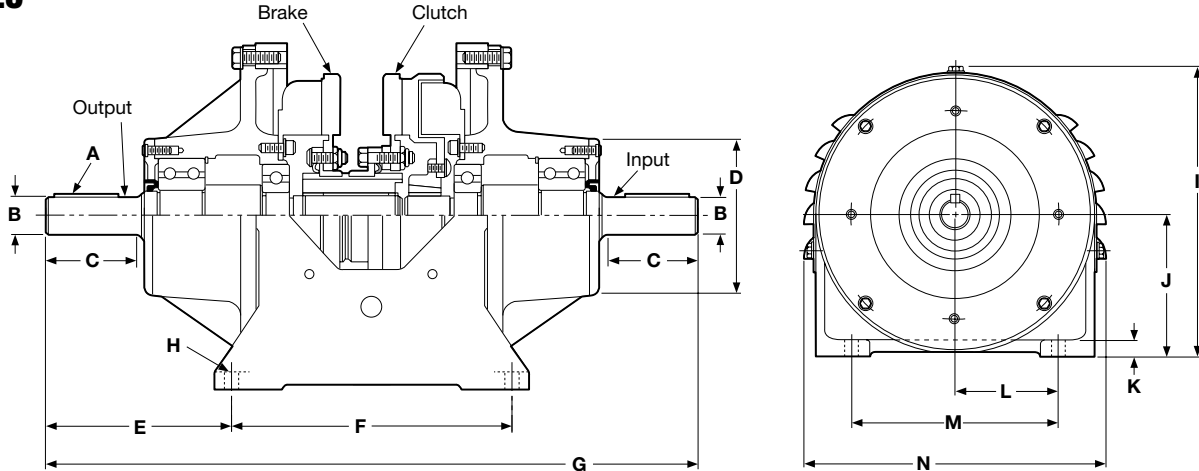
### Specifications

Model Size	Voltage DC	Unit	Static Torque	Inertia*—WR <sup>2</sup> lb.ft. <sup>2</sup>	Max. RPM	Weight lbs.
EP-500	6, 24 and 90	Clutch Brake	50 40	.039 .063	4000	56

For Information on Coil Data see page G-10, SF/PB units of the appropriate size.

# EP Series Electro Pack

## EP-825



### Dimensions

All dimensions are nominal, unless otherwise noted.

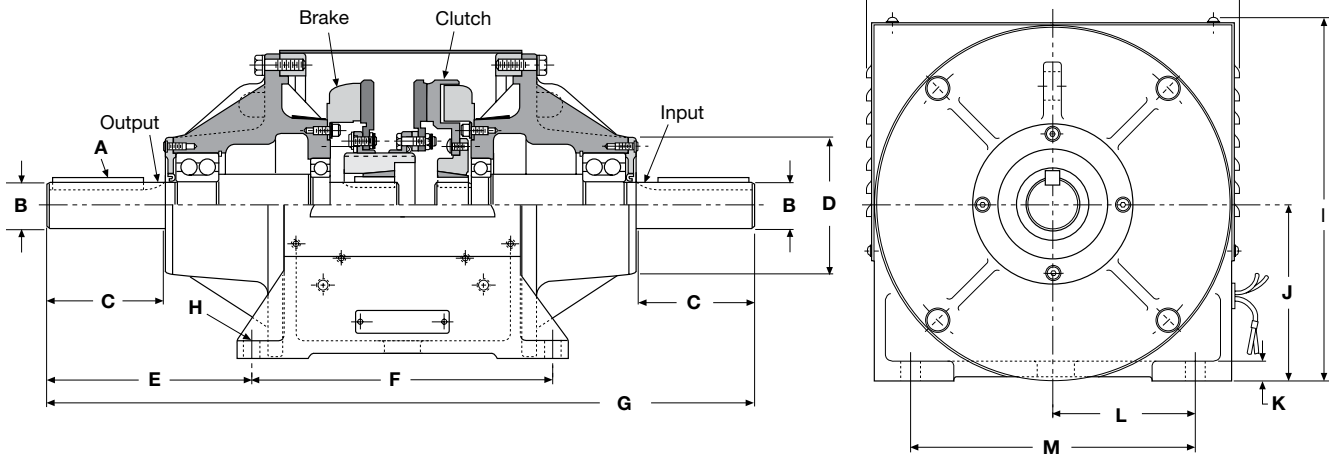
Size	A	B Dia.	C Min.	D Max. Dia.	E	F	G Max.	H	I	J	K	L	M	N Max.
825	1/4 x	1.1250	2.875	5.000	5.734	8.500	20.031	.406 Dia. (4 holes)	10.812	5.254	.562	4.250	8.500	11.609
	1/4 x 2	1.1245								5.252				

### Specifications EP-825

Model Size	Voltage DC	Unit	Static Torque	Inertia*–WR <sup>2</sup> (lb.ft. <sup>2</sup> )	Max. RPM	Weight lbs.
EP-825	6, 24 & 90	Clutch	125	.651	3600	123
		Brake	125	.242		

For Information on Coil Data see page G-10, SF/PB units of the appropriate size.

## EP-1000



### Dimensions

All dimensions are nominal, unless otherwise noted.

Size	A	B Dia.	C Min.	D Dia.	E	F	G Max.	H	I	J	K	L	M	N Max.
1000	1/2 x	1.875	4.750	5.687	8.250	12.250	28.750	.656 Dia. (4 holes)	12.500	6.255	.718	5.000	10.000	12.875
	1/2 x	1.874								6.241				
	3-3/4													

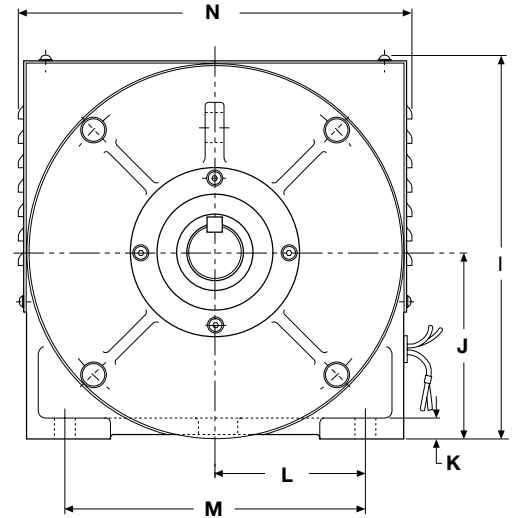
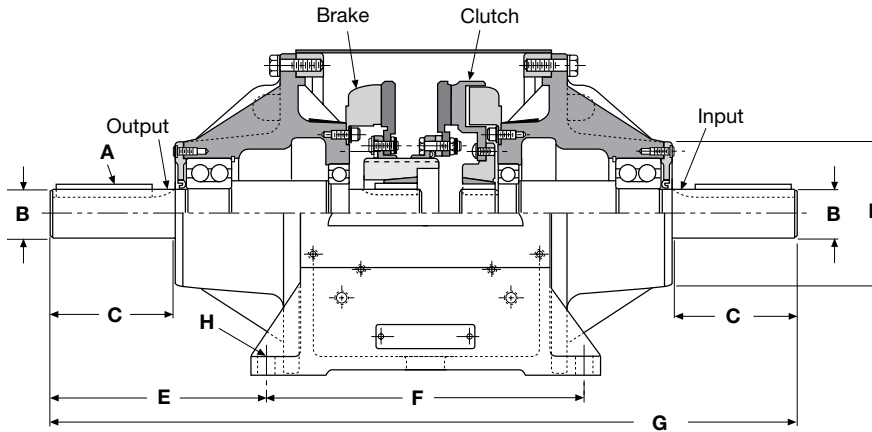
### Specifications EP-1000

Model Size	Voltage DC	Static Torque	Inertia*–WR <sup>2</sup> (lb.ft. <sup>2</sup> )		Max. RPM	Weight lbs.
			Output Side	Input Side		
EP-1000	6	240 lb.ft.	1.45	1.01	3000	288
	24	240 lb.ft.	1.45	1.01	3000	288
	90	240 lb.ft.	1.45	1.01	3000	288

For Information on Coil Data see page G-10, SF/PB units of the appropriate size.

# EP Series Electro Pack

## EP-1525, EP-1525HT



### Dimensions

All dimensions are nominal, unless otherwise noted.

Size	A	B Dia.	C Min.	D Max. Dia.	E	F	G Max.	H	I	J	K	L	M	N Max.
1525	5/8 x	2.375	5.750	7.500	8.468	16.500	33.500	.796 Dia. (4 holes)	18.250	9.005	1.000	7.000	14.000	18.875
	4-1/4	8.991												
1525HT	5/8 x	2.375	5.750	7.500	8.468	16.500	33.500	.796 Dia. (4 holes)	18.250	9.005	1.000	7.000	14.000	18.875
	4-1/4	8.991												

### Specifications

Model Size	Voltage DC	Unit	Static Torque lb.ft.	Inertia*—WR <sup>2</sup> (lb.ft. <sup>2</sup> )		Max. RPM	Weight lbs.
				Output Side	Input Side		
EP-1525	6, 90	Clutch	700	7.89	5.68	1800	655
		Brake	700				
EP-1525HT	24, 90	Clutch	1350	7.89	6.41	1800	656
		Brake	700				

For Information on Coil Data see page G-10, SF/PB units of the appropriate size.