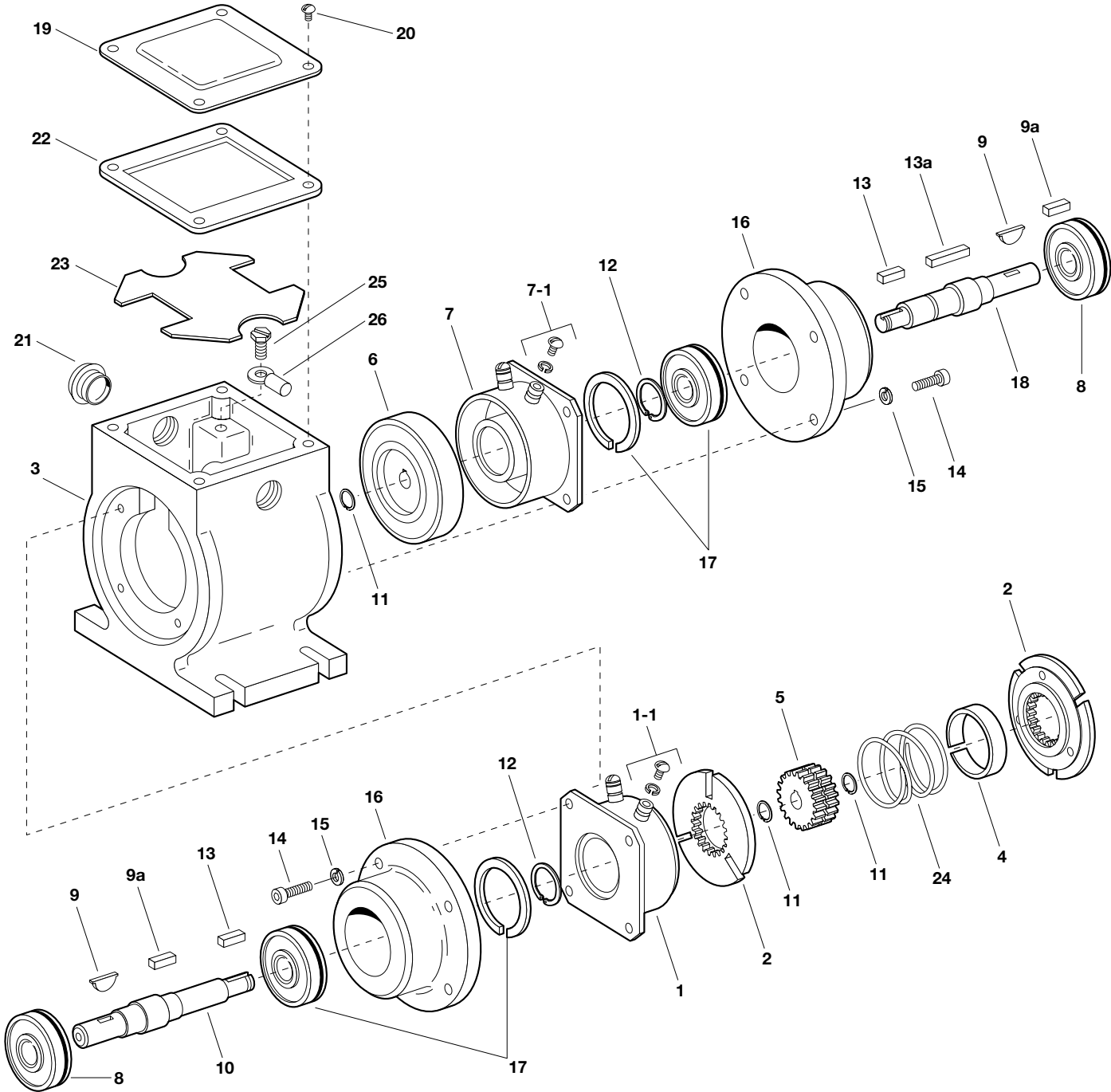


EP Series Electro Pack

EP-170, EP-250, EP-400



Service Parts

Component Parts

Item	Description	EP-170		EP-250		EP-400	
		Part No.	Qty.	Part No.	Qty.	Part No.	Qty.
1	Magnet Assembly		1		1		1
	6 volt	5375-631-003		5319-631-002		5115-631-002	
	24 volt	5375-631-005		5319-631-003		5115-631-003	
	90 volt	5375-631-007		5319-631-005		5115-631-004	
1-1	Terminal Accessory	†		5103-101-002	1	5103-101-002	1
2	Armature Assembly with Autogap	110-0111	2	5130-111-008	2	5131-111-001	2
3	Housing	535-0079	1	535-0082	1	535-0083	1
4	Armature Spacer	807-1021	1				
5	Splined Armature Hub	540-1250	1	540-1635	1	540-2034	1
6	Rotor Assembly	5603-751-029	1	5103-751-010	1	5104-751-034	1
7	Field Assembly		1		1		1
	6 volt	5603-451-047		5103-451-002		5104-451-032	
	24 volt	5603-451-049		5103-451-004		5104-451-033	
	90 volt	5603-451-051		5103-451-007		5104-451-034	
7-1	Terminal Accessory	†		5103-101-002	1	5103-101-002	1
8	Ball Bearing	166-0112	2	166-0114	2	166-0116	2
9	Key	590-0095	2	590-0014	2		
9a	Key					590-0016	2
10	Shaft, Brake	798-0136	1	798-0133	1	798-0131	1
11	Retainer Ring	748-0346	2	748-0347	2	748-0348	2
12	Retainer Ring	748-0042	2	748-0024	2	748-0022	2
13	Key	590-0089	2	590-0088	2	590-0087	1
13a	Key					590-0106	1
14	Capscrew	797-1219	8	797-1219	8	797-1220	8
15	Lockwasher	950-0351	8	950-0351	8	950-0355	8
16	Bearing Housing	535-0080	2	535-0081	2	535-0084	2
17	Ball Bearing, with Retainer	166-0111	2	166-0113	2	166-0115	2
18	Shaft, Clutch	798-0135	1	798-0134	1	798-0132	1
19	Cover Plate	686-1017	1	686-1018	1	686-1019	1
20	Screw	797-0015	4	797-0015	4	797-0015	4
21	Dust Plug	680-0037	2	680-0037	2	680-0037	2
22	Gasket	495-0003	1	495-0004	1	495-0005	1
23	Insulator	572-0573	1	572-0572	1	572-0574	1
24	Vertical Mfg. Spring Kit Optional	5603-101-001	1	5103-101-006	1	5104-101-005	1
25	Ground Screw		1	797-1245	1	797-1245	1
26	Terminal		1	900-0116	1	900-0016	1

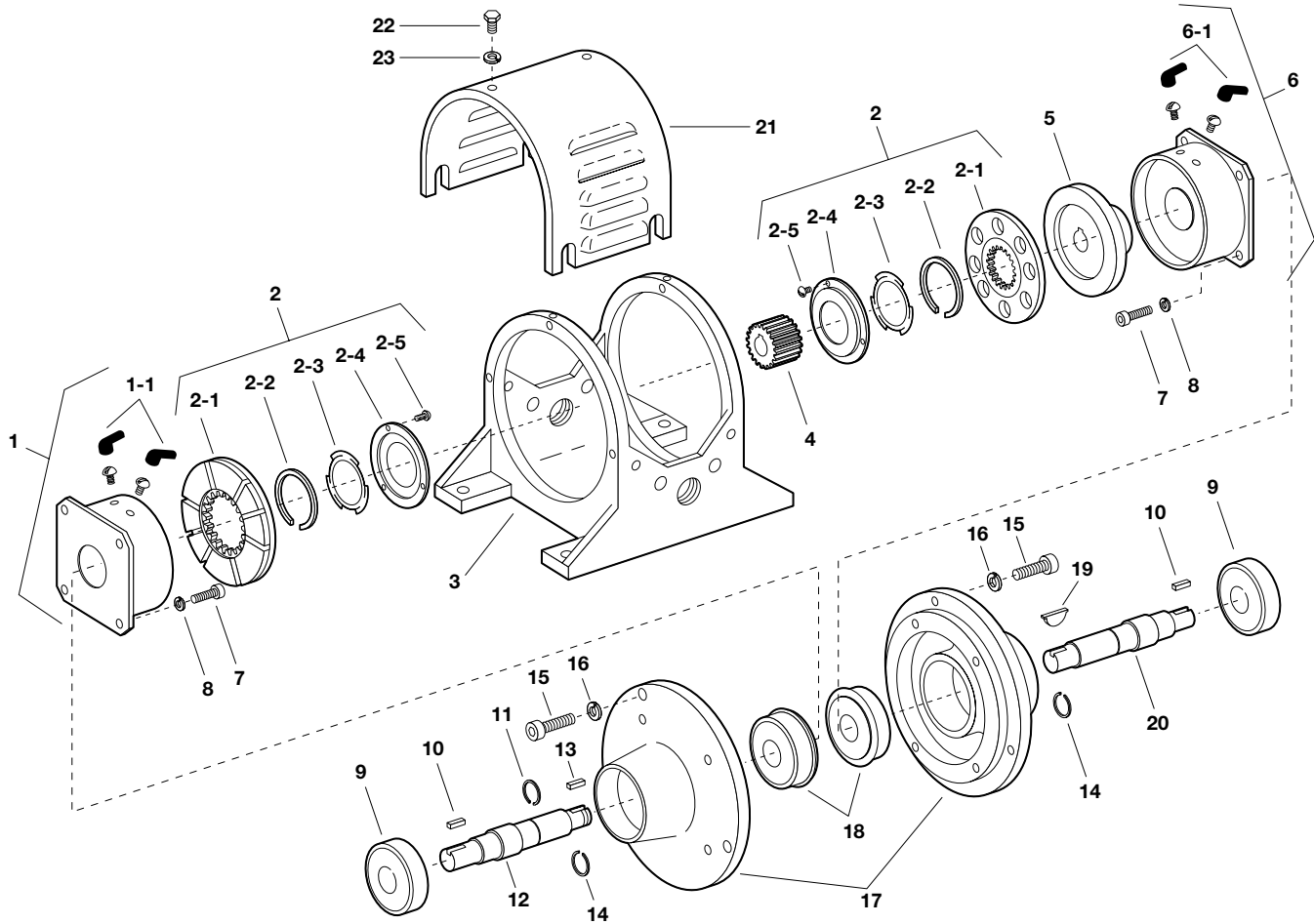
†Lead wires used on EP-170.

These units meet the standards of UL508 and are listed under guide card #NMTR, file #59164.



EP Series Electro Pack

EP-500



Component Parts

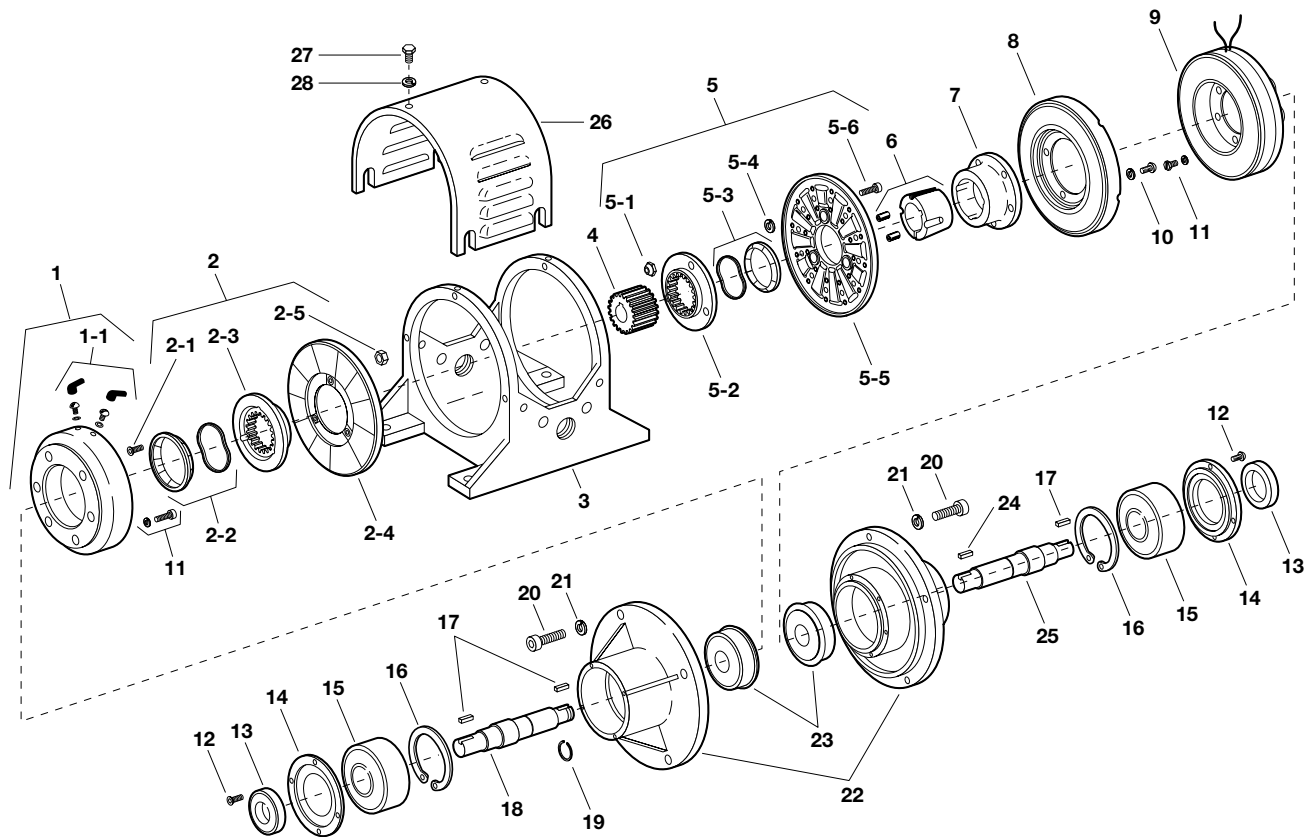
EC-825			
Item	Description	Part No.	Qty.
1	Magnet Assembly		1
	6 volt	5300-631-009	
	24 volt	5300-631-010	
	90 volt	5300-631-011	
1-1	Terminal Accessory	5311-101-001	1
2	Armature Assembly	5230-111-002	2
2-1	Armature	5230-111-001	2
2-2	Retainer Ring	748-0355	2
2-3	Spring	808-0412	2
2-4	Retainer Plate	748-0364	2
2-5	Screw	797-0028	12
3	Mounting Frame	174-0028	1
4	Splined Hub	540-2035	1
5	Rotor	5230-751-001	1
6	Field		1
	6 volt	5230-451-003	
	24 volt	5230-451-005	
	90 volt	5230-451-002	

EC-825			
Item	Description	Part No.	Qty.
6-1	Terminal Accessory	5311-101-001	1
7	Capscrew	797-0416	8
8	Lockwasher	950-0107	8
9	Ball Bearing	166-0125	2
10	Key	590-0020	2
11	Retainer Ring	748-0361	1
12	Shaft, Brake	798-0022	1
13	Key	590-0022	1
14	Retainer Ring	748-0335	2
15	Capscrew	797-0418	8
16	Lockwasher	950-0107	8
17	Endbell Housing	535-0010	2
18	Ball Bearing	166-0127	2
19	Key	590-0021	1
20	Shaft, Clutch	798-0023	1
21	Cover Drip Proof	287-0068	1
22	Capscrew	797-1214	6
23	Lockwasher	950-0102	6

Refer to Service Manual P-0212.
 These units meet the standards of UL508 and are listed under guide card #NMTR,
 file #59164.



Service Parts



Component Parts

EC-825			
Item	Description	Part No.	Qty.
	Magnet Assembly		1
1	6 volt	5311-631-002	
	24 volt	5311-631-003	
	90 volt	5311-631-004	
1-1	Terminal Accessory	5311-101-001	1
2	Armature Assembly & Splined Adapter	5321-111-001	1
2-1	Screw	797-0272	3
2-2	Autogap Accessory	5321-101-006	1
2-3	Splined Adapter	104-0008	1
2-4	Armature	5321-111-022	1
2-5	Locknut	661-0004	3
3	Frame	174-0019	1
4	Splined Hub	540-0320	1
5	Armature & Splined Adapter	5201-111-001	1
5-1	Locknut	661-0004	3
5-2	Splined Adapter	104-0008	1
5-3	Autogap Accessory	5321-101-006	1
5-4	Spacer	748-0333	3
5-5	Armature	5321-111-022	1
5-6	Screw	797-0341	3
6	Bushing, 1-1/4" Bore	180-0113	1
7	Rotor Hub	540-0013	1
8	Rotor	5201-751-003	1
	Field		1
9	6 volt	5201-451-006	
	24 volt	5201-451-008	
	90 volt	5201-451-010	

EC-825			
Item	Description	Part No.	Qty.
10	Mounting Accessory	5201-101-007	1
11	Mounting Accessory	5321-101-001	2
12	Screw	797-1008	8
13	Oil Seal	795-0023	2
14	Retainer Plate	686-0031	2
15	Ball Bearing	166-0126	2
16	Retainer Ring	748-0336	2
17	Key	590-0019	3
18	Shaft, Brake	798-0019	1
19	Retainer Ring	748-0335	1
20	Capscrew	797-0351	8
21	Lockwasher	950-0354	8
22	Endbell Housing	535-0005	2
23	Ball Bearing	166-0125	2
24	Key	590-0018	1
25	Shaft, Clutch	798-0020	1
26	Cover, Drip Proof	287-0069	1
27	Capscrew	797-1214	6
28	Lockwasher	540-0102	6

Refer to Service Manual P-0212.

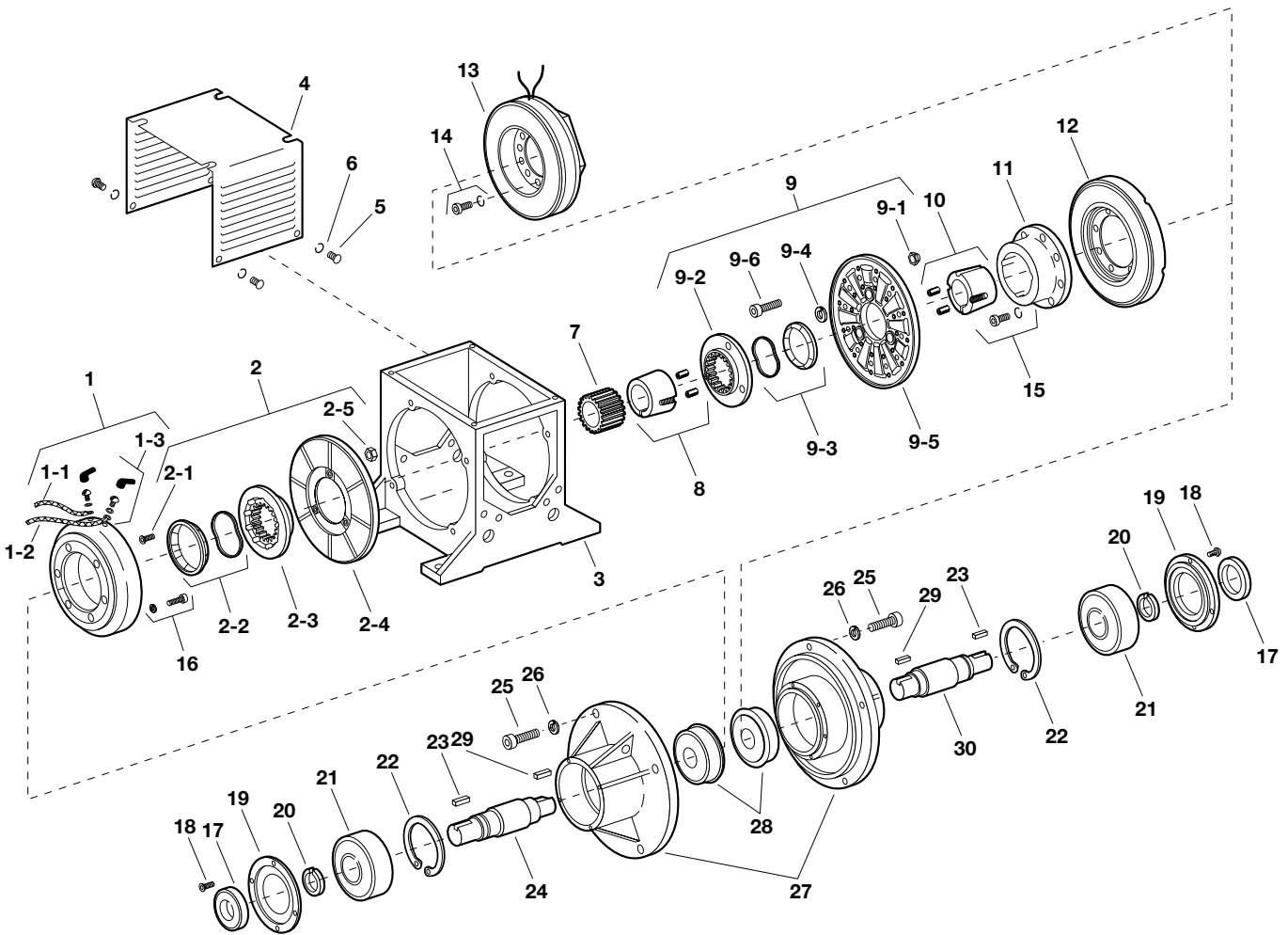
These units meet the standards of UL508 and are listed under guide card #NMTR, file #59164.



Service Parts

EP Series Electro Pack

EP-1000



Service Parts

Component Parts

Item	Description	Part No.	Qty.
1	Magnet Assembly		1
	6 volt	5312-631-004	
	24 volt	5312-631-005	
	90 volt	5312-631-006	
1-1	Wire Assembly	5232-954-003	1
1-2	Wire Assembly	5232-954-004	1
1-3	Terminal Accessory	5311-101-001	1
2	Armature & Splined Adapter	5322-111-002	1
2-1	Button Head Screw	797-0272	1
2-2	Autocap Accessory	5322-101-004	1
2-3	Splined Arm, Adapter	104-0009	1
2-4	Armature	5322-111-036	1
2-5	Locknut	661-0004	3
3	Frame	174-0043	1
4	Dust Cover	287-0052	1
5	Button Head Screw	797-1175	8
6	Lockwasher	950-0103	8
7	Splined Armature Hub	540-0061	1
8	Bushing, 1-7/8" Bore	180-0177	1
9	Armature & Splined Adapter	5202-111-001	1
9-1	Locknut	661-0004	3
9-2	Splined Armature Adapter	104-0009	1
9-3	Autogap Accessory	5322-101-004	1
9-4	Spacer	748-0333	3
9-5	Armature	5322-111-036	1

Item	Description	Part No.	Qty.
9-6	Capscrew	797-0341	3
10	Bushing, 2" Bore	180-0179	1
11	Rotor Hub	540-0315	1
12	Rotor	5202-751-003	1
13	Field Assembly		1
	6 volt	5202-451-004	
	24 volt	5202-451-006	
	90 volt	5202-451-007	
14	Mounting Accessory	5321-101-001	1
15	Mounting Accessory	5201-101-007	1
16	Mounting Accessory	5321-101-001	1
17	Oil Seal	795-0024	2
18	Button Head Screw	797-1008	8
19	Retainer Plate	686-0047	2
20	Retainer Ring – External	748-0504	2
21	Ball Bearing	166-0130	2
22	Retainer Ring – Internal	748-0375	2
23	Key	590-0024	2
24	Shaft, Brake	798-0026	1
25	Capscrew	797-0361	8
26	Lockwasher	950-0362	8
27	Bearing Housing	535-0012	2
28	Ball Bearing	166-0131	2
29	Key	590-0025	2
30	Shaft, Clutch	798-0025	1

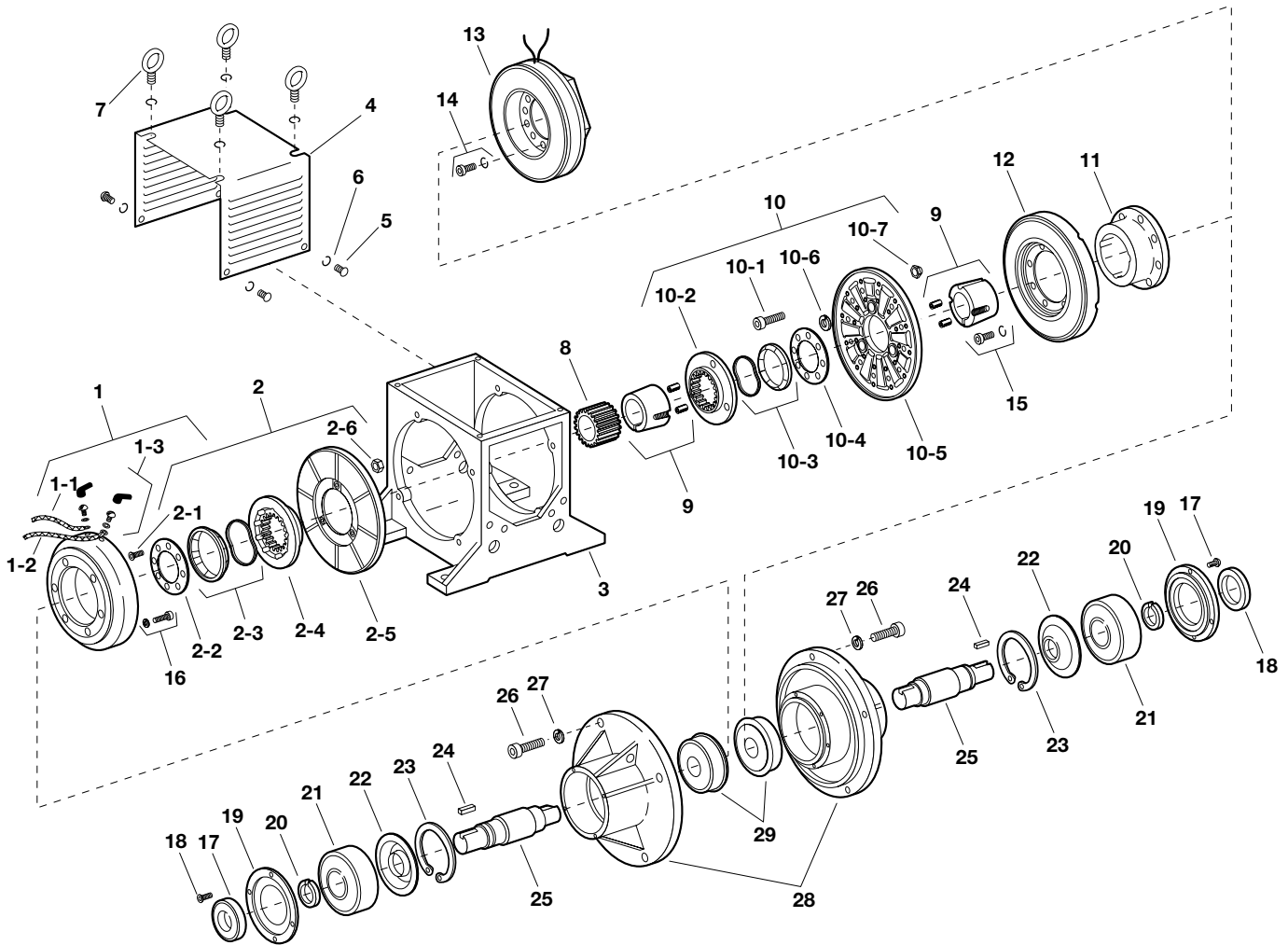
Refer to Service Manual P-0212.

These units meet the standards of UL508 and are listed under guide card #NMTR, file #59164.



EP Series Electro Pack

EP-1525, EP-1525HT



Service Parts

Component Parts

Item	Description	EP-1525		EP-1525HT	
		Part No.	Qty.	Part No.	Qty.
	Magnet		1		1
1	6 volt	5314-631-004		5314-631-004	
	24 volt	5314-631-006		5314-631-006	
	90 volt	5314-631-005		5314-631-005	
*1-1	Wire Assembly	5232-954-003	1	5232-954-003	1
*1-2	Wire Assembly	5232-954-004	1	5232-954-004	1
*1-3	Terminal Accessory	5311-101-001	1	5311-101-001	1
2	Armature & Splined Adapter	5324-111-001	1	5324-111-001	1
*2-1	Button Head Screw	797-0272	8	797-0272	8
*2-2	Armature Plate	686-0003	1	686-0003	1
*2-3	Autogap Accessory	5323-101-002	1	5323-101-002	1
*2-4	Splined Armature Adapter	104-0011	1	104-0011	1
*2-5	Armature	5324-111-034	1	5324-111-034	1
*2-6	Locknut	661-0004	8	661-0004	8
3	Frame	174-0044	1	174-0044	1
4	Dust Cover	287-0040	1	287-1002	1
5	Button Head Screw	797-1175	8	797-1175	8
6	Lock Washer	950-0103	8	950-0103	8
7	Eye Bolts	171-0006	4	171-0006	4
8	Splined Armature Hub	540-0063	1	540-0063	1
9	Bushing, 2-3/8" Bore	180-0215	2	180-0215	2
10	Armature & Splined Adapter	5204-111-004	1	5204-111-004	1
*10-1	Capscrew	797-0342	8	797-0342	8
*10-2	Splined Armature Adapter	104-0011	1	104-0011	1
*10-3	Autogap Accessory	5323-101-002	1	5323-101-002	1
*10-4	Retainer Plate	686-0003	1	686-0003	1
*10-5	Armature	5324-111-034	1	5324-111-034	1
*10-6	Spacer	748-0333	8	748-0333	8
*10-7	Locknut	661-0004	8	661-0004	8
11	Rotor Hub	5234-541-001	1	5234-541-001	1
12	Rotor	5204-751-002	1	5204-751-001	1
	Field Assembly		1		1
13	6 volt	5204-451-013		5204-451-005	
	24 volt	5204-451-015		5204-451-066	
	90 volt	5204-451-016		5204-451-006	
14	Mounting Accessory	5321-101-002	2	5321-101-002	2
15	Mounting Accessory	5321-101-001	2	5321-101-001	2
16	Mounting Accessory	5321-101-001	2	5321-101-001	2
17	Screw	797-0294	8	797-0294	8
18	Oil Seal	795-0025	2	795-0025	2
19	Retainer Plate	686-0048	2	686-0048	2
20	Retaining Ring – External	748-0503	2	748-0503	2
21	Ball Bearing	166-0132	2	166-0132	2
22	Bearing Seal	795-0036	2	795-0036	2
23	Retainer Ring – Internal	748-0552	2	748-0052	2
24	Key	590-0028	2	590-0028	2
25	Shaft	798-0027	2	798-0027	2
26	Capscrew	797-0362	12	797-0362	12
27	Lock Washer	950-0362	12	950-0362	12
28	Bearing Housing	535-0013	2	535-0013	2
29	Ball Bearing	166-0133	2	166-0133	2

*Shipped Assembled
Refer to Service Manual P-0212.
These units meet the standards of UL508 and are listed under guide card #NMTR, file #59164.



Service Parts

General Engineering Data



G

Mechanical Data Application Engineering

- Ordering Information / Standard NEMA Frame Dimensions..... G-3
- Mechanical Data / Dynamic Torque G-4
- Mechanical Data / Rotational Speed..... G-6
- Mechanical Data / Clutch Field Restraining Devices..... G-7
- Electrical Data / Coil Ratings G-8
- Electrical Data / Installation Procedure G-11
- Electrical Data / Coil Suppression & Clutch/Brake Overlap G-12
- Electrical Data / Overexcitation G-13