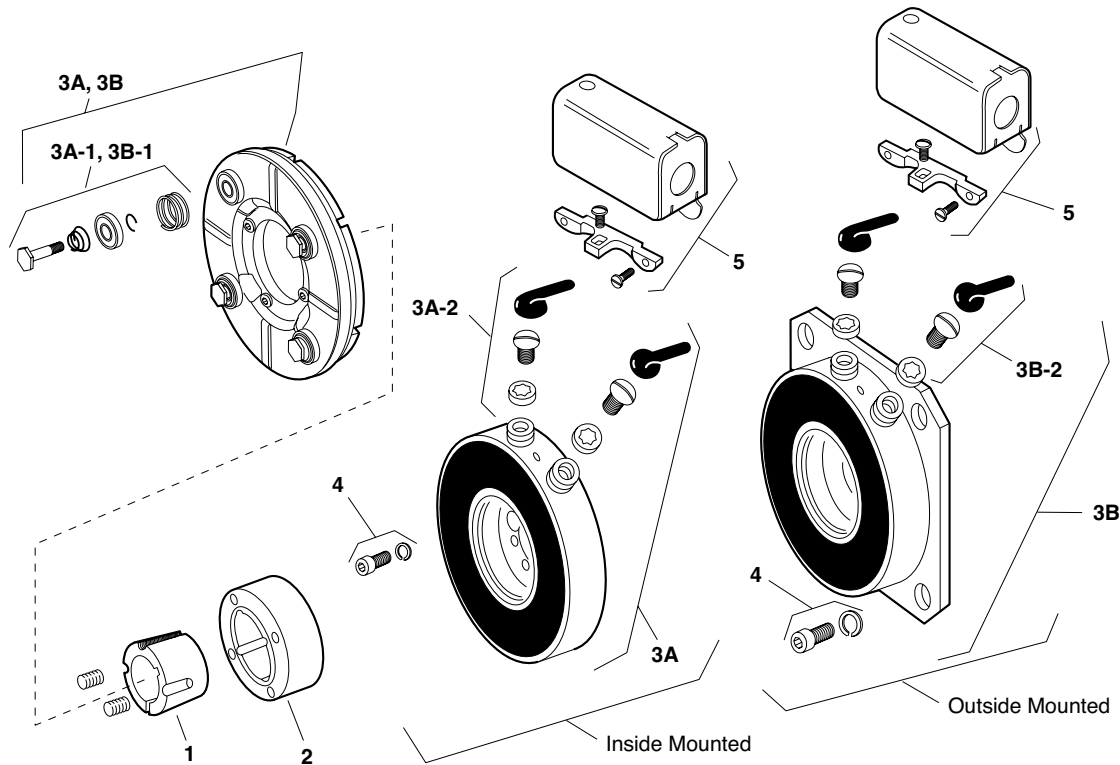


ER Series Electrically Released Brakes

ER-375, ER-475, ER-650



Component Parts

Item	Description	ER-375		ER-475		ER-650	
		Part No.	Qty.	Part No.	Qty.	Part No.	Qty.
1	†Bushing			180-0410-0418 (1/2" to 1" Bore)	1	180-0421-0435 (1/2" to 1-3/8" Bore)	1
2	Hub			540-0849	1	540-0848	1
	1/2" Bore	540-0846	1				
	5/8" Bore	540-0847	1				
3A	Magnet and Armature (Inside Mounted, 90 Volt) Sold only in matched pairs*			5255-5	1	5256-6	1
3A-1	Autogap Accessory			5391-101-003	4	5392-101-003	4
3A-2	Terminal Accessory			5103-101-002	1	5103-101-002	1
3B	Magnet and Armature (Outside Mounted, 90 Volt) Sold only in matched pairs*	5254-1	1	5255-6	1	5256-7	1
3B-1	Autogap Accessory	5390-101-002	3	5391-101-003	4	5392-101-003	1
3B-2	Terminal Accessory	5103-101-002	1	5103-101-002	1	5103-101-002	1
4	Mounting Accessory						
	Inside Mount			5255-101-001	1	5256-101-003	1
	Outside Mount	5254-101-002	1	5255-101-002	1	5256-101-003	1
5	Conduit Box	5200-101-010	1	5200-101-010	1	5200-101-010	1

† See page B-3 for specific part numbers.

* Magnets and armatures sold only in pre-burnished sets to assure rated torque available upon installation.

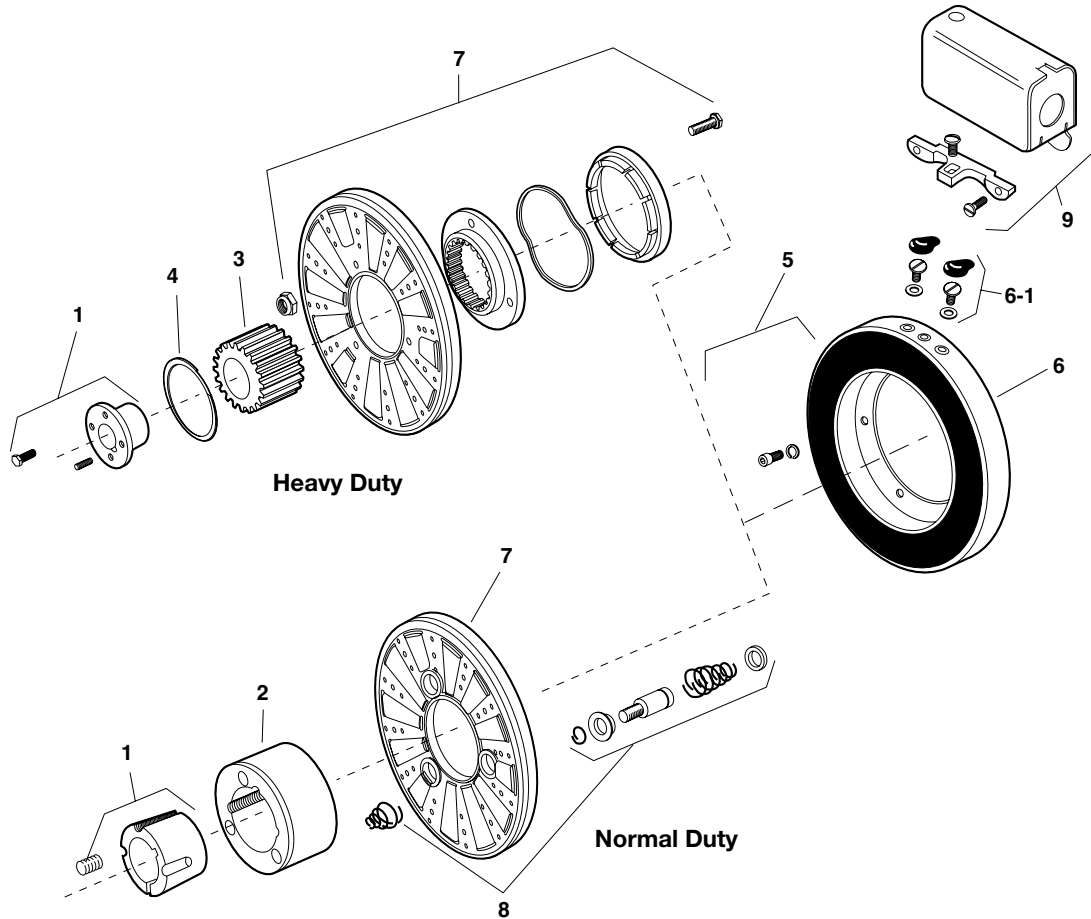
These units, when used with the correct Warner Electric conduit box, meet the standards of UL508 and are listed under guide card #NMTR2, file #59164.



Service Parts

ER Series Electrically Released Brakes

ER-825, ER-1225



Component Parts

Item Description	ER-825 Normal Duty		ER-825 Heavy Duty		ER-1225 Normal Duty		ER-1225 Heavy Duty	
	Part No.	Qty.	Part No.	Qty.	Part No.	Qty.	Part No.	Qty.
1 †Bushing	180-0137-180-0149	1	180-0008-180-0018	1	180-0262-180-0295	1	180-0026-180-0057	1
	7/8" to 1-5/8" Bore		7/8" to 1-1/2" Bore		15/16" to 3" Bore		3/4" to 2-11/16" Bore	
2 Armature Hub	540-0394	1			540-0015	1		
3 Splined Hub			540-0057	1			540-0064	1
4 Retainer Ring			748-0006	1			748-0005	1
5 Mounting Accessory, I.M.	5321-101-001	1	5321-101-001	1	5321-101-001	1	5321-101-001	1
6 & 7 Magnet (I.M.) and Armature sold only in matched pairs*	24V 5250-31	1	5250-26	1				
	90V 5250-30	1	5250-25	1	5252-9	1	5252-4	1
6-1 Terminal Accessory	5311-101-001	1	5311-101-001	1	5311-101-001	1	5311-101-001	1
8 Autogap Accessory	5201-101-008	3			5201-101-008	4		
9 Conduit Box	5200-101-010	1	5200-101-010	1	5200-101-010	1	5200-101-010	1

† See pages B-2 to B-3 for specific part numbers.

* Magnets and armatures sold only in pre-burnished sets to assure rated torque available upon installation.

These units, when used with the correct Warner Electric conduit box, meet the standards of UL508 and are listed under guide card #NMTR2, file #59164.



Service Parts

General Engineering Data



G

Mechanical Data Application Engineering

- Ordering Information / Standard NEMA Frame Dimensions..... G-3
- Mechanical Data / Dynamic Torque G-4
- Mechanical Data / Rotational Speed G-6
- Mechanical Data / Clutch Field Restraining Devices..... G-7
- Electrical Data / Coil Ratings G-8
- Electrical Data / Installation Procedure G-11
- Electrical Data / Coil Suppression & Clutch/Brake Overlap G-12
- Electrical Data / Overexcitation G-13