



CMS 250
Clutch/Brake



CMS 250

Clutch/Brake

The CMS 250 Series Commercial MagStop clutch/brakes are designed for heavy duty mowers with up to 96" decks and engines up to 37 HP. Rugged design for continuous duty and long life.

CMS Design Features

Patented, modular, permanent magnet brakes provide more consistent torque over the life of the clutch.
5-10-15 lb.ft. brake options available

Large 6208 armature bearing pressed into machined bearing cup

Patented D-drive mounting adapter locks crank shaft to aid in securing and removing mounting bolt

Easy, no hassle re-gap option which doubles clutch life and is less prone to adjustment error than mechanical spring set brakes

Low profile integral connector helps prevent lead wire fatigue and protects the clutch by making the cable assembly the serviceable component

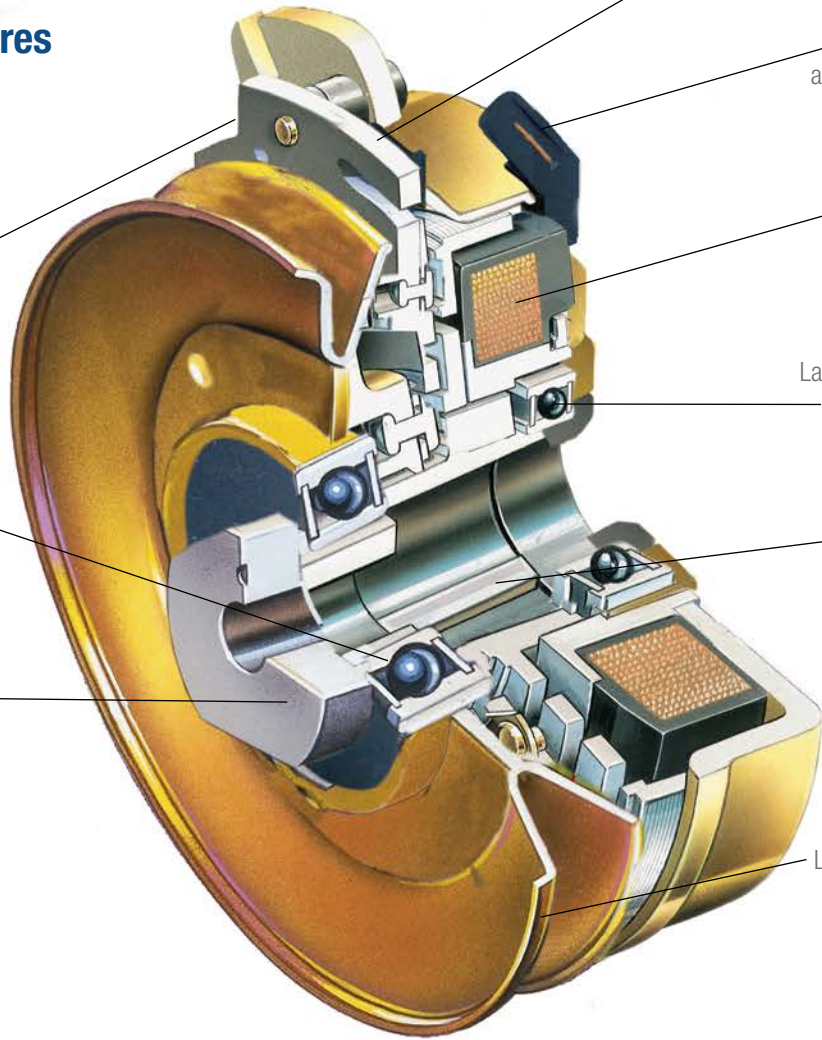
Completely encapsulated coils, over-molded in high temperature engineered plastic

Large, 6008 field bearing with high temperature polyacrylic seal and high temperature krytox grease

Integral key for ease of installation and reduced part inventory

Larger pulley sizes extend belt life

Custom pulley sizes available



Made in the USA



Very simple, no hassle re-gap option is a standard feature which doubles clutch life.



Brake shim can quickly be removed from clutch while mounted and the airgap can be checked easily.

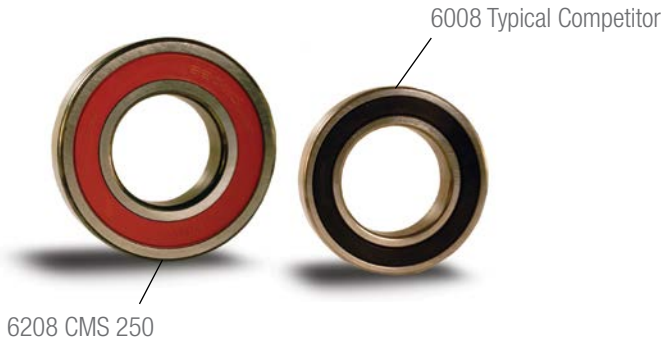


Low profile connector allows for easy replacement of cable assembly.

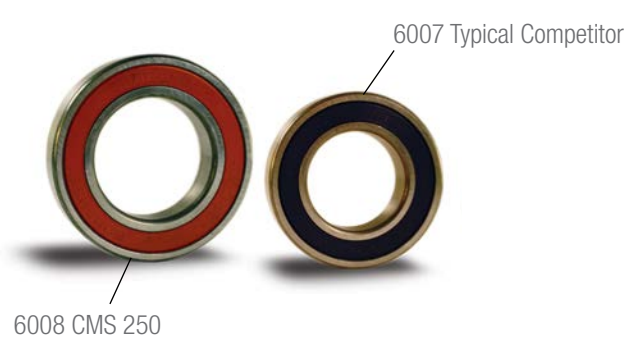
Bearings

Larger, more robust 6008 and 6208 series bearings have been implemented on the CMS 250. The field bearing by design is thermally isolated from the coil and utilizes high temperature fluorinated grease and high temperature seals.

Pulley Bearings

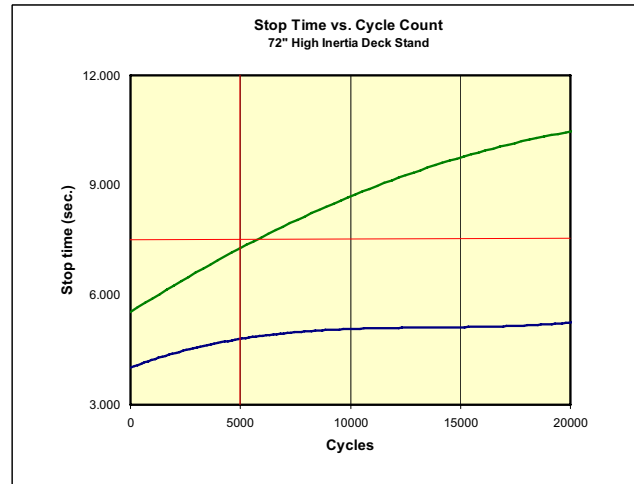


Field Bearings



CMS 250 Performance Specifications

LIFE	<ul style="list-style-type: none"> B₁₀ life of 25,000 cycles at 2000 hours
APPLICATION SIZE	<ul style="list-style-type: none"> Up to 37 HP
ENGINE	
DECK	<ul style="list-style-type: none"> Commercial applications up to 96" decks
ENVIRONMENT	<ul style="list-style-type: none"> Ambient - 40° to +200°F Bearing operating temperatures - 40°F to +350°F
OPERATING SPEED	<ul style="list-style-type: none"> Input speeds up to 3600 RPM
ELECTRICAL SPECIFICATIONS	<ul style="list-style-type: none"> System voltage of 12.0 to 14.0 volts with a steady state current between 6 to 7 amps



ANSI Standard B71.4-1990 requires a stop time no greater than 7 seconds out of box for commercial applications. New brake designed to extend this standard through the life of the clutch. The consumer endurance point is 5K cycles.

Full Line Overview

SERIES NUMBER	SERIES NAME	AVAILABLE TORQUE	CURRENT DRAW RANGE	AVAILABLE BORES*	PULLEY GROOVE AVAILABILITY	EXISTING PULLEY DIAMETERS**	ELECTRICAL CONNECTION	MOUNTING
5217-XX	RMS	60 & 80 ft.lb.	1.6 to 3.97 amps	1"	A, A/B, B	5.2 to 7.48"	Integral	Standard & Reverse
5219-XX	TG	105 & 125 ft.lb.	3.25 to 4.23 amps	1", 1-1/8"	A, A/B, B, 3V, 5L, 5V, HA	2.893 to 7.3"	Integral & Lead Wire	Standard & Reverse
5218-XX	CMS	175 & 200 ft.lb.	4.85 to 5.53 amps	1", 1-1/8"	A, A/B, B, 3V, 5L, 5V, HA, 8M, GT2	3.35 to 7.345"	Integral & Lead Wire	Standard & Reverse
5228-XX	CMS 250	225 & 250 ft.lb.	6.65 to 6.86 amps	1", 1-1/8", 1-1/4", 1-7/16"	A, A/B, B, C	6.121 to 7.153"	Integral & Lead Wire	Standard & Reverse
5227-XX	GT 300	300 ft.lb.	6.0 to 7.0 amps	1", 1-1/8", 1-1/4", 1-7/16"	A, B, C Flange	4.75 to 9.34"	Screw Terminal	Standard & Reverse

* Other clutch bores may be available depending on application and yearly volume
 ** Other pulley or flange configurations available depending on application and yearly volume

Warner Electric Facilities

North America

USA

31 Industrial Park Road
New Hartford, CT 06057 - USA
860-379-1252

*Electromagnetic Clutches
and Brakes*

449 Gardner Street
South Beloit, IL 61080 - USA
815-389-3771

4578 East Park 30 Drive
Columbia City, IN 46725 - USA
260-244-6183

*Precision Electric Coils and
Electromagnetic Clutches and
Brakes*

Customer Service

1-800-825-6544

Application Support

1-800-825-9050

Europe

France

7, rue Champfleur, B.P. 20095
St Barthelemy d'Anjou - France
+33 (0)2 41 21 24 24

*Electromagnetic Clutches
and Brakes*

Customer Service

+33 (0)2 41 21 24 76

Application Support

+33 (0) 2 41 21 24 24

Asia Pacific

Australia

+61 2 9894 0133

China

+86 21 5169-9255

Hong Kong

+852 2615 9313

Singapore

+65 6487 4464

Taiwan

+886 2 2577 8156

Thailand

+66 2322 5527

The Brands of Altra Motion

Couplings

Ameridrives
www.ameridrives.com

Bibby Turboflex
www.bibbyturboflex.com

Guardian Couplings
www.guardiancouplings.com

Huco
www.huco.com

Lamiflex Couplings
www.lamiflexcouplings.com

Stromag
www.stromag.com

TB Wood's
www.tbwoods.com

Linear Systems

Thomson
www.thomsonlinear.com

Warner Linear
www.warnerlinear.com

Geared Cam Limit Switches

Stromag
www.stromag.com

Engineered Bearing Assemblies

Kilian
www.kilianbearings.com

Electric Clutches & Brakes

Matrix
www.matrix-international.com

Stromag
www.stromag.com

Warner Electric
www.warnerelectric.com

Deltran
www.thomsonlinear.com

Belted Drives

TB Wood's
www.tbwoods.com

Heavy Duty Clutches & Brakes

Twiflex
www.twiflex.com

Stromag
www.stromag.com

Svendborg Brakes
www.svendborg-brakes.com

Wichita Clutch
www.wichitaclutch.com

Gearing & Specialty Components

Bauer Gear Motor
www.bauergears.com

Boston Gear
www.bostongear.com

Delevan
www.delevan.com

Delroyd Worm Gear
www.delroyd.com

Nuttall Gear
www.nuttallgear.com

Engine Braking Systems

Jacobs Vehicle Systems
www.jacobsvehiclesystems.co

Precision Motors & Auton

Kollmorgen
www.kollmorgen.com

Miniature Motors

Portescap
www.portescap.com

Overrunning Clutches

Formsprag Clutch
www.formsprag.com

Marland Clutch
www.marland.com

Stieber
www.stieberclutch.com

Neither the accuracy nor completeness of the information contained in this publication is guaranteed by the company and may be subject to change in its sole discretion. The operating and performance characteristics of these products may vary depending on the application, installation, operating conditions and environmental factors. The company's terms and conditions of sale can be viewed at <http://www.altramotion.com/terms-and-conditions/sales-terms-and-conditions>. These terms and conditions apply to any person who may buy, acquire or use a product referred to herein, including any person who buys from a licensed distributor of these branded products.

©2019 by Warner Electric LLC. All rights reserved. All trademarks in this publication are the sole and exclusive property of Warner Electric LLC or one of its affiliated companies.



www.warnerelectric.com

P-1894-WE 4/19