



**Heavy Duty
Gen2
UniModule
for
Tough
Conveyor
Applications**





TWO SIGNIFICANT DESIGN MODIFICATIONS

Make The Heavy Duty Gen2 Unimodule
Ideal For Use In Tough Conveyor Applications
Including Baggage Handling Systems

Heavy Duty



Standard

MODIFIED ARMATURE AND SPLINE HUB

The effective spline length increased by 83% resulting in a 44% decrease in spline compressive stress.

CYCLING CONVEYOR TEST IN LABORATORY ENVIRONMENT

- HD Module had zero spline wear in 300,000 cycles



Heavy Duty

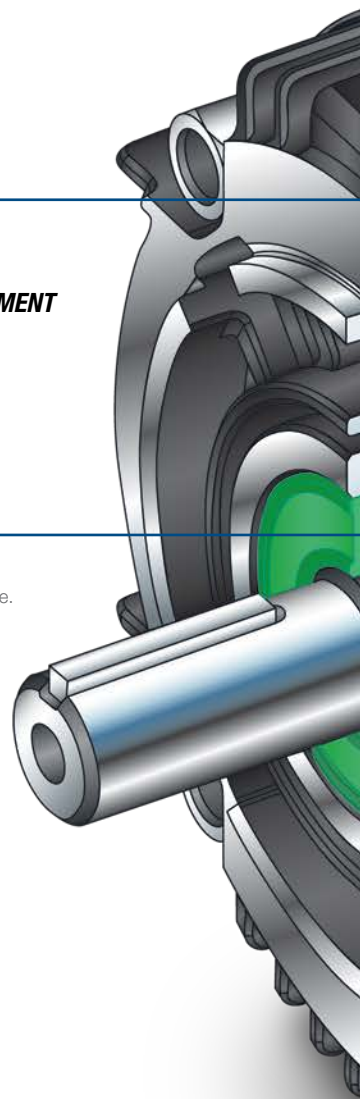


Standard

HIGHER LOAD CAPACITY BEARING

Bearing dynamic load capability* increased by 47%.

*Calculated using 250 lbs. total belt load at 2 inches from module face.



CHOOSE FROM TWO HEAVY DUTY MODELS

Fully assembled, pre-burnished and factory tested

FOR 143/145TC NEMA FRAME, UP TO 2 HP:

UM-180-1020, 90 vdc
UM-180-1020, w/CBC-150

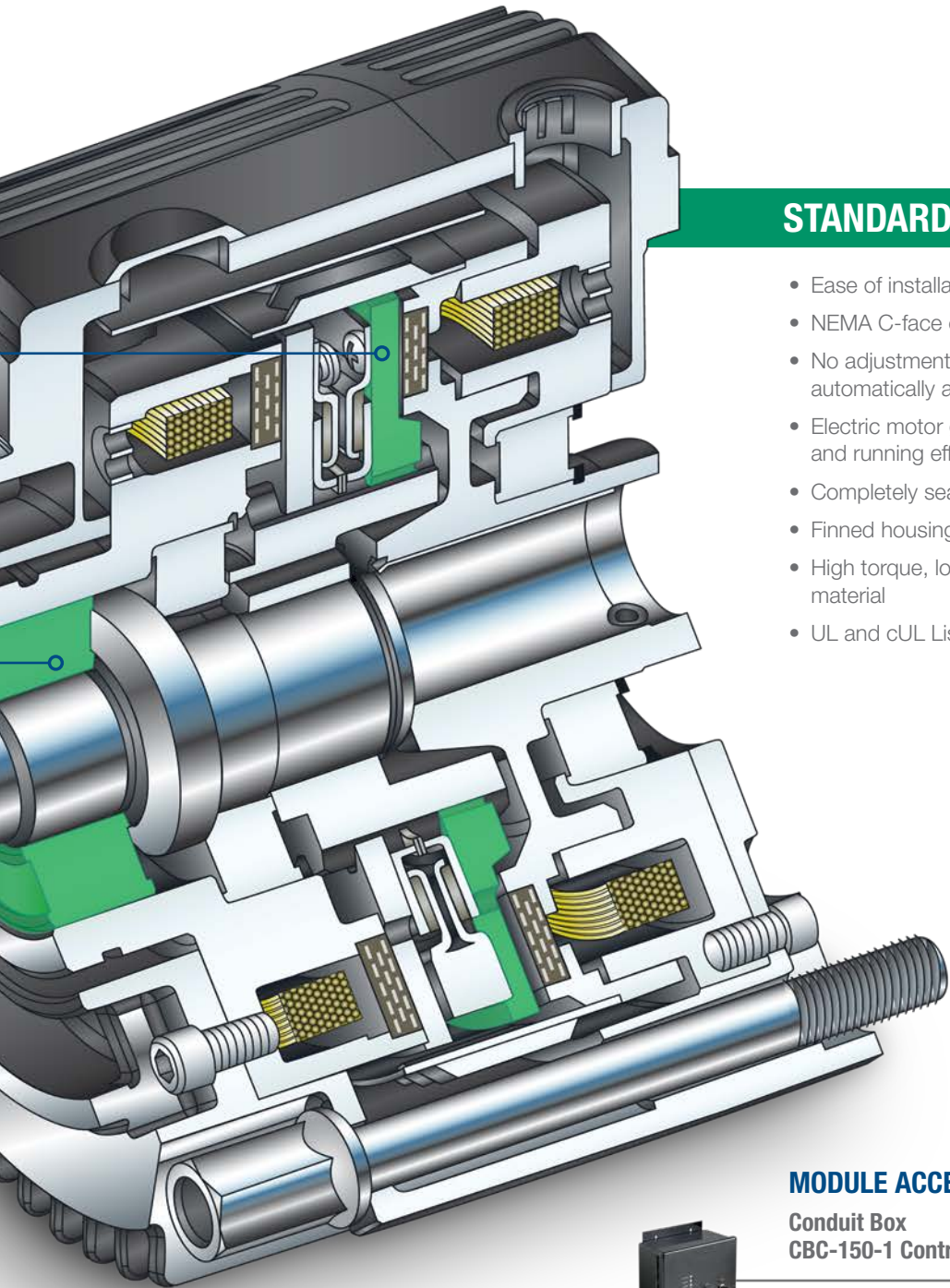
Part #5370-273-323
Part #5370-273-324



OPTIONAL FIELD INSTALLABLE COVER KIT

is available to create a fully enclosed unit.

Part #5370-101-076



STANDARD GEN2 FEATURES

- Ease of installation – bolt it down, wire it up
- NEMA C-face compatible mounting
- No adjustment required – patented Autogaps™ automatically adjust for wear
- Electric motor grade bearings maintain tight concentricity and running efficiency
- Completely sealed coils
- Finned housing for maximum heat dissipation
- High torque, long life, lead-free, and asbestos-free friction material
- UL and cUL Listed

MODULE ACCESSORIES

Conduit Box	Part #5370-101-042
CBC-150-1 Control	Part #6004-448-001
CBPC 3590 Control	Part #6051-448-002



Clutch Brake Positioning Control is designed for **airport baggage handling diverters**. This dedicated control incorporates a counter system, control logic, and clutch/brake power supply for closed loop control operation. **The CBC-3590 is a direct replacement of the CBC-1500 AFHC.**

Warner Electric Facilities

North America

31 Industrial Park Road
New Hartford, CT 06057 - USA
860-379-1252

*Electromagnetic Clutches
and Brakes*

449 Gardner Street
South Beloit, IL 61080 - USA
815-389-3771

4578 East Park 30 Drive
Columbia City, IN 46725 - USA
260-244-6183

*Precision Electric Coils and
Electromagnetic Clutches and
Brakes*

Customer Service
1-800-825-6544

Application Support
1-800-825-9050

Europe

7, rue Champfleu, B.P. 20095
St Barthelemy d'Anjou - France
+33 (0)2 41 21 24 24

*Electromagnetic Clutches
and Brakes*

Customer Service
+33 (0)2 41 21 24 76

Application Support
+33 (0) 2 41 21 24 24

Asia Pacific

Australia
+61 2 9894 0133

China
+86 21 5169-9255

Hong Kong
+852 2615 9313

Singapore
+65 6487 4464

Taiwan
+886 2 2577 8156

Thailand
+66 2322 5527

The Brands of Altra Industrial Motion

Couplings

Ameridrives
www.ameridrives.com

Bibby Turboflex
www.bibbyturboflex.com

Guardian Couplings
www.guardiancouplings.com

Huco
www.huco.com

Lamiflex Couplings
www.lamiflexcouplings.com

Stromag
www.stromag.com

TB Wood's
www.tbwoods.com

Gear Cam Limit Switches

Stromag
www.stromag.com

Electric Clutches & Brakes

Inertia Dynamics
www.idicb.com

Matrix
www.matrix-international.com

Stromag
www.stromag.com

Warner Electric
www.warnerelectric.com

Linear Products

Warner Linear
www.warnerlinear.com

Engineered Bearing Assemblies

Kilian
www.kilianbearings.com

Heavy Duty Clutches & Brakes

Industrial Clutch
www.indclutch.com

Twiflex
www.twiflex.com

Stromag
www.stromag.com

Svendborg Brakes
www.svendborg-brakes.com

Wichita Clutch
www.wichitaclutch.com

Belted Drives

TB Wood's
www.tbwoods.com

Gearing

Bauer Gear Motor
www.bauergears.com

Boston Gear
www.bostongear.com

Delroyd Worm Gear
www.delroyd.com

Nuttall Gear
www.nuttallgear.com

Overrunning Clutches

Formsprag Clutch
www.formsprag.com

Marland Clutch
www.marland.com

Stieber
www.stieberclutch.com

Neither the accuracy nor completeness of the information contained in this publication is guaranteed by the company and may be subject to change in its sole discretion. The operating and performance characteristics of these products may vary depending on the application, installation, operating conditions and environmental factors. The company's terms and conditions of sale can be viewed at <http://www.altramotion.com/terms-and-conditions/sales-terms-and-conditions>. These terms and conditions apply to any person who may buy, acquire or use a product referred to herein, including any person who buys from a licensed distributor of these branded products.

©2018 by Warner Electric LLC. All rights reserved. All trademarks in this publication are the sole and exclusive property of Warner Electric LLC or one of its affiliated companies.

