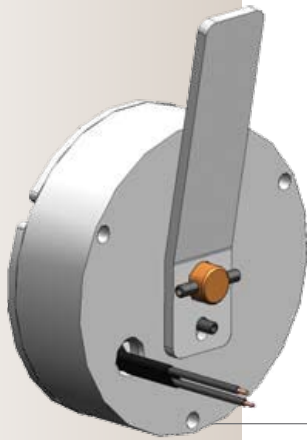


I N T R O D U C I N G

WR218 VAR22 & VAR23

Spring Applied Electrical & Manual Released Brakes



Highly Reliable, Spring Applied Devices

Units are highly reliable, spring applied devices designed as statically engaged/disengaged holding brakes. Compact **WR218** VAR22 & 23 brakes are specifically designed for static engagement with manual release lever, with some emergency stop capability and optional engagement detection microswitch.

Warner Electric approaches every application from the standpoint of finding the best functional solution, variations of the **WR218** VAR22 & 23 brake design can be customised to fit many applications.

Typical Applications

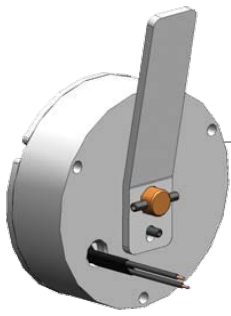
- Scooters/Wheelchairs
- Patient hoists
- Handheld power tools
- Conveyors
- Machine tools
- Robotics
- Floor sweepers/cleaners
- Automatic doors

Features

- The WR218 VAR22 & 23 brakes can be used for static applications with E-Stop requirements
- Slim line enclosed design brake
- Maximum hub bore 11 mm
- 2 Nm to 5 Nm torque
- 78,5 mm diameter
- Optional microswitch
- Optional plastic lever cover



Industrie Service

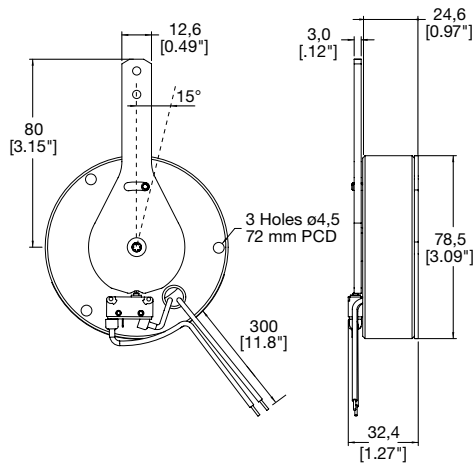


WR218 VAR22 & VAR23

Spring Applied Electrical & Manual Released Brakes

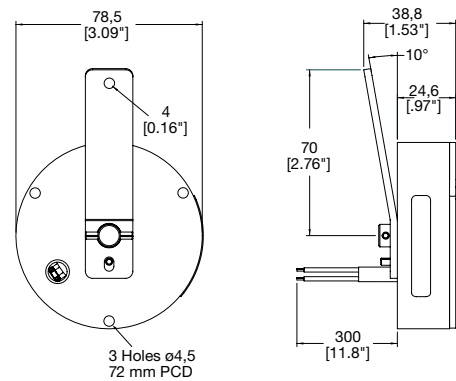
Flange Mount with Rotary Release Mechanism

VAR22



Flange Mount with Push/Pull Release Mechanism

VAR23






SPECIFICATIONS (Other non-standard voltage, power, lead length or color available upon request and subject to extra charge)

Series	Static Torque	Temperature	Duty Cycle	Voltage	Power
WR218 VAR22	From 2 to 6 Nm	Ambient -20 / +40°C	50% max.	12 VDC 24 VDC	14 Watt
WR218 VAR23					

OPTIONS (Release mechanism lever - other lengths or shapes available upon request and subject to tooling charge)

WR218 VAR22	
Release Mechanism	Microswitch
CW and/or CCW (Not bi directional)	Microswitch only Wired in line or parallel

WR218 VAR23
Release Mechanism
Push or pull

Hexagonal Hub Drive		Hexagonal Plastic Friction disc
Ø Options plain	Ø Options D drive	
 6,0 mm 6,35 mm [0.25"] 8,0 mm 9,5 mm [3/8"] 10,0 mm 11,0 mm	 8,0 mm 10,0 mm	

N.B.: Options to be selected with Warner Electric Sales Engineers.
Maximum motor shaft length = 8 mm [0.32"]

Subject to alteration without prior notice