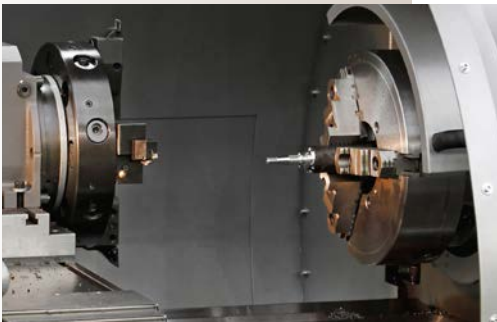




Custom Designed X-Small Brakes

Electrically Released Spring-Set Holding Brakes for applications where weight or space are major constraints



There are applications where every single gram counts. XS Brakes have been designed with two key constraints in mind: optimize the torque level in the **smallest space** design and at the **lightest weight**. No compromises have been made between the performance of the brake, the extra low weight and the required space envelope to fit this brake in your application. XS Brakes are highly reliable, fail safe devices designed as statically engaged/disengaged holding brakes. These brakes provide low cycle rate stopping action in emergency situations.

Warner Electric approaches every application from the standpoint of finding the absolute best functional solution. The highest mounting flexibility is ensured thanks to the usage of fully customized adaptor flange. They are tailored to your application.

XS Brakes are particularly suited for application where very small space envelope and extra low weights are critical:

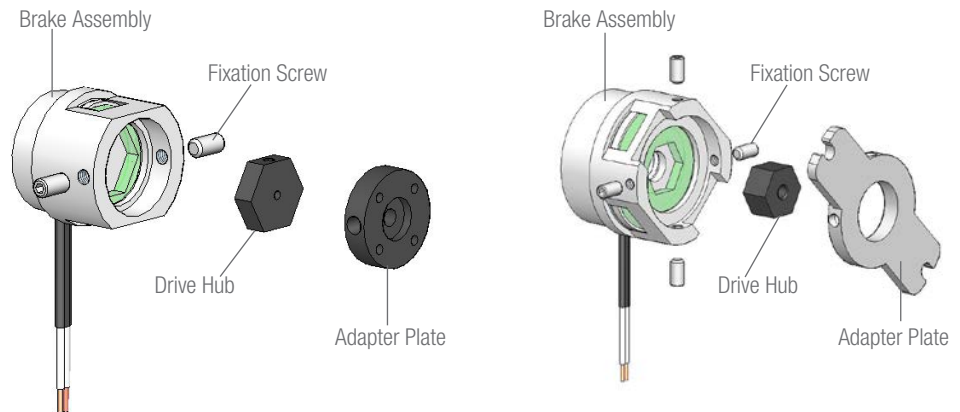
- Aerospace
- Medical machinery
- Machine tools
- Others



X-Small Brakes

6 different brake sizes are available to meet your specific application requirements.

The highest mounting flexibility is ensured thanks to the usage of fully customized adaptor flange. They are tailored to your application:



XS-Brake Family Technical Characteristics

Series		XSB22S	XSB22L	XSB29S	XSB29L	XSB33S	XSB33L
Static torque	N.m	0,015	0,03	0,15	0,2	0,35	0,5
Voltage (standard)*	Vdc	24					
Power (20°C)	W	3	3	5,4	5,5	6,8	7,2
Nominal resistance* (20°C)	Ω	190	192	106,9	105,5	84,4	80,1
Maximum operating speed	1/min	10000					
External diameter	mm	Ø22		Ø29		Ø33,5	
Total length	mm	18,5	23	21	26	24	26,5
Maximum shaft diameter	mm	Ø3,5		Ø4,5		Ø6	
Weight**	g	27	37	55	70	90	100
Friction disc inertia	g.mm ²	36		140		302	
Drive hub inertia***	g.mm ²	17			35		
Drive backlash	°	±2,9			±2,4		
Dielectric insulation		200MΩ mini at 1500V					
Surface treatment		Zinc plating, Cr6 free clear passivation / 80hrs salt spray test					
Lead wires*		Nexans/Filotex ref.1850 0,38 G22 (white) Or Tyco 55PC-0811-22 (white)					

* Other design available upon request

** Without adapter part

*** Inertia value for minimum length