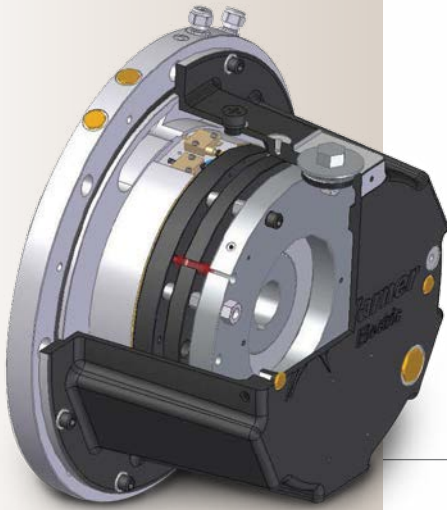


I N T R O D U C I N G

ERD/ERDD GEN4 Brakes

Spring-Operated / Electromagnetic Release

Available in single disc (ERD) or dual disc version (ERDD)



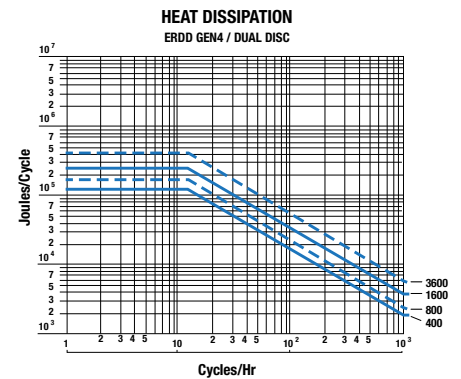
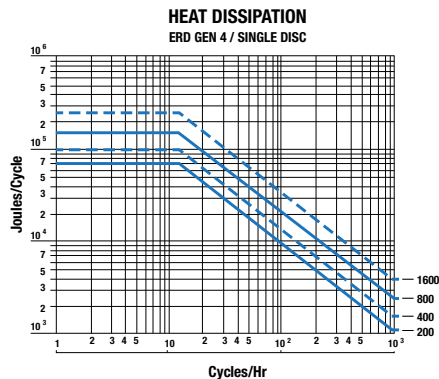
Features:

- Activated by spring pressure
- High speed
- High torque density
- Low response time
- High lifetime : wear compensation
- Duty cycle 100% ED
- For dry use only
- Horizontal mount (Vertical mount only on request)
- Encoder mounting holes
- Release detection microswitch
- Wear sensor
- Transport and mounting axis
- Radial or axial cable output
- Electrically release at single voltage or OEX
- Power supply on request

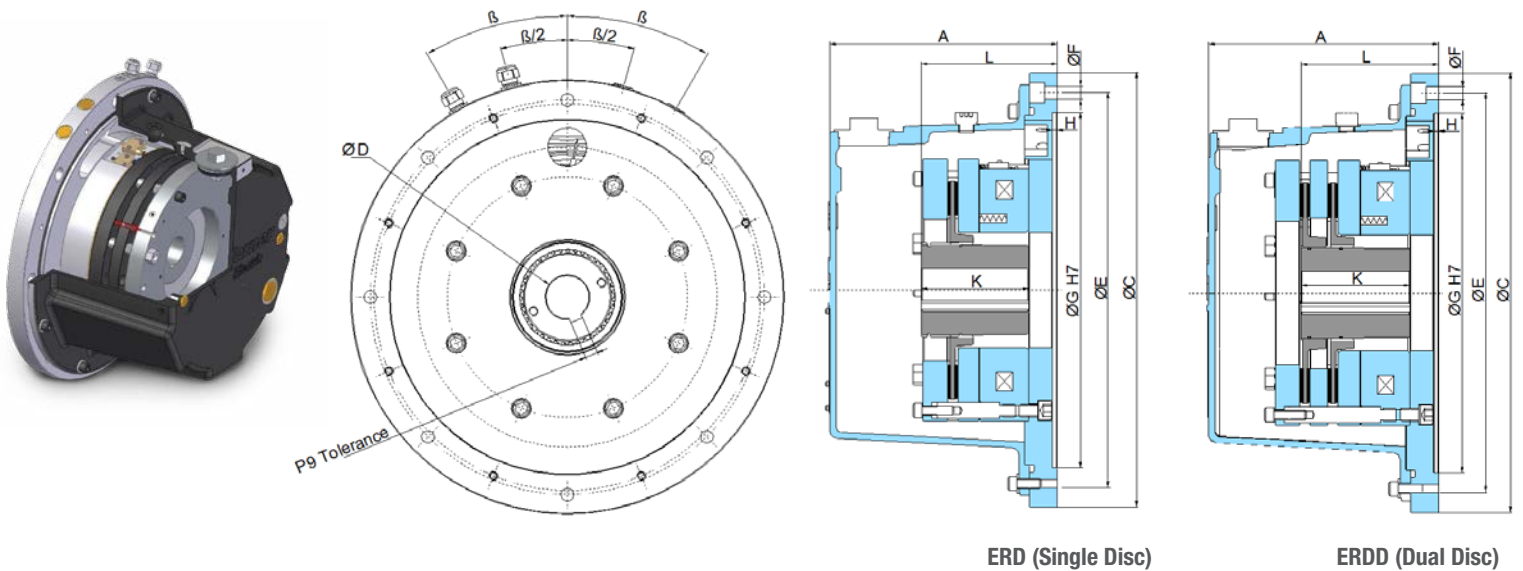
- Data matrix for service manual
- IP67 protection
- From -40°C to +50°C
- Humidity rate up to 100%
- Marine certification on request

Options:

- Internal fail safe hand lever
- External fail safe hand lever
- Extra-long hub
- Hub diameter on demand
- Anti-condensation heater
- IP67 breather
- Mounting flange on request (EN 50347)
- Final painting on request



ERD (Single Disc) / ERDD (Dual Disc) GEN4 Spring-Operated / Electromagnetic Released Brake



ERD (Single Disc)

ERDD (Dual Disc)

	ERD Single Disc / Horizontal or Vertical Axis				ERDD Dual Disc / Horizontal Axis Only			
Size	200	400	800	1600	400	800	1600	3200
Nominal Torque (Nm)	200	400	800	1600	400	800	1600	3200
Max Speed (rpm)	4700	4700	4700	3800	4700	4700	4700	3800

Single Voltage

Voltage (VDC)	103.5	103.5	103.5	103.5	103.5	103.5	103.5	103.5
Power (Watt)	76	155	207	327	76	155	207	327

Dual Voltage

Voltage (VDC)	207/103.5	207/103.5	207/103.5	207/103.5	207/103.5	207/103.5	207/103.5	207/103.5
Voltage (VDC)	360/180	360/180	360/180	360/180	360/180	360/180	360/180	360/180
Power (Watt)	187/47	482/120	625/156	607/151	187/47	482/120	625/156	607/151

A (mm)	250	290	290	320	250	290	290	320
C (mm)	350	450	550	650	350	450	550	650
D Pre-Bored (mm)	20	29	34	50	20	29	34	50
D max (mm)	45	65	80	110	45	65	80	110
E (mm)	300	400	500	600	300	400	500	600
F (mm)	4 x 16,5	8 x 16,5	8 x 16,5	8 x 21	4 x 16,5	8 x 16,5	8 x 16,5	8 x 21
G (mm)	250	350	450	550	250	350	450	550
H min	5	6	6	7	5	6	6	7
K (mm)	55	75	136	100	55	75	136	100
L (mm)	164	174	172	217	164	174	172	217
B (°)	20	30	30	30	20	30	30	30
Inertia (Kg•m2)	0,003	0,017	0,055	0,086	0,005	0,027	0,068	0,126
Weight (Kg)	61	113	162	221	64	120	173	235

Fixation on standard flange
according to
EN 50347

FF300	FF350	FF400	FF500	FF300	FF350	FF400	FF500
-------	-------	-------	-------	-------	-------	-------	-------

Standard Keyways according to DIN6885-1 / tolerance P9



www.wamerelectric.com

449 Gardner Street
South Beloit, IL - USA
815-389-3771
Fax: 815-389-2582

7, rue Champfleury, B.P. 20095
St Barthelemy d'Anjou - France
+33 (0)2 41 21 24 24
Fax: +33 (0)2 41 21 24 70