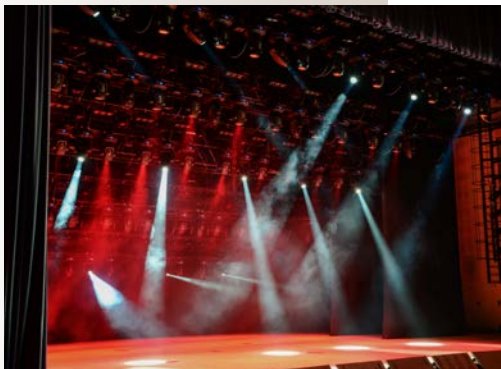


I N T R O D U C I N G

# The PK-S Brake

Electrically Released Brake  
for Stage & Theater Applications



Specifically design for high speed & low torque application, PK-S Brake are the perfect fit for motor brake in stage & theater application. Equipped with a dampening system developed for elevator application, the PK-S brake is silent and can be used during the show without creating any disturbance.

Available in different voltage (Single or with over excitation), the PK-S brake can be equipped with different option such as micro switch to monitor the position of the armature, dust cover or hand release.

## Features

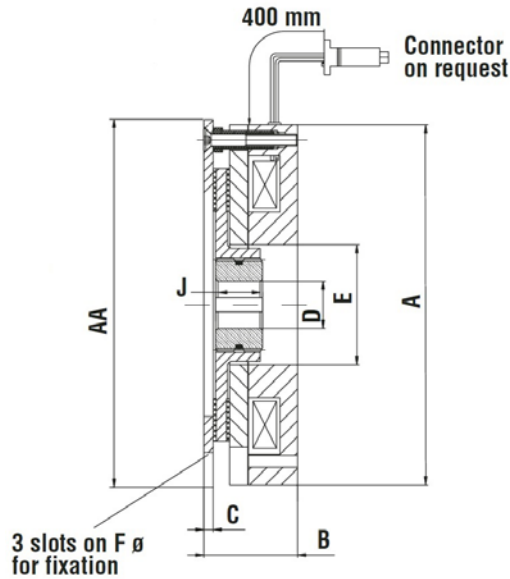
- Extra flat Single brake design
- Low noise level (<55dB(A))
- Torque range from 5Nm to 60 Nm
- Speeds up to 7000rpm
- Customization on request
- According to norm requirements  
(BGV-C1; DIN 56950-1; EN81-20/50, DGUV §17...)

Several options available such as hand release, dust cover, connectors, ...



## PK-S Motor Brake

# Electrically Released Brake



Size			5	10	20	35	60
Static Torque Winch Brake		Nm	5	10	20	35	60
Other Available Torque	Min.	Nm	5	10	20	30	50
	Max.	Nm	8	15	30	40	75
Cert. Max. Speed		m/s	7	7	7	7	7
Cert. Max. Speed		rpm	2400	3950	1650	1350	1200
High Energy/Speed Torque Motor Brake		Nm	5	10	20	35	60
Other Available Torque	Min.	Nm	5	10	20	30	50
	Max.	Nm	5	10	20	35	60
Cert. Max. Speed		m/s	20	20	20	20	20
Cert. Max. Speed		rpm	7000	5500	4600	3800	3500
A		mm	82	98	133	153	164
B		mm	52.5	56	54	55	67
C		mm	3.2	3.2	4.5	6	6
D		mm	15H7	15/20H7	15/20H7	19.05/20/25H7	20/25/30H7
J		mm	20	20	20	25	30
E		mm	31	37	43.5	51	59
F		mm	72	90	112	132	145
AA		mm	82	98	138	156	164
T		mm	60	77	96	116	125
U		mm	48	60	68	80	90.5
Hand Release		-	Option				
Weight		Kg	1.5	2.4	4.2	4.4	8.5