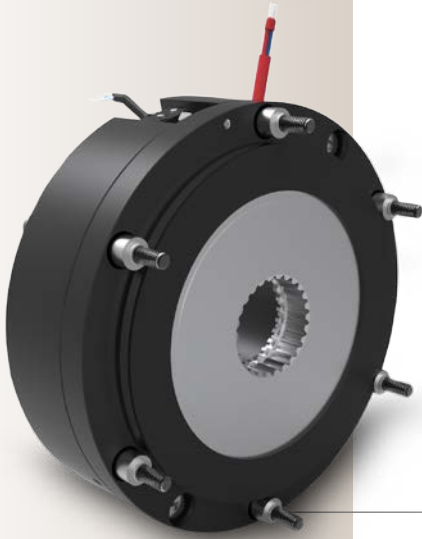


I N T R O D U C I N G

The FENIX 08 Brake

Electrically Released Brake
for Stage & Theater Applications



Developed for the Elevator application, the FENIX Brake range offer the most reliable dampening system of the market. Using friction material specifically developed for this application by our own engineers, the FENIX 08 brake provide a high level of safety for your installation.

Features

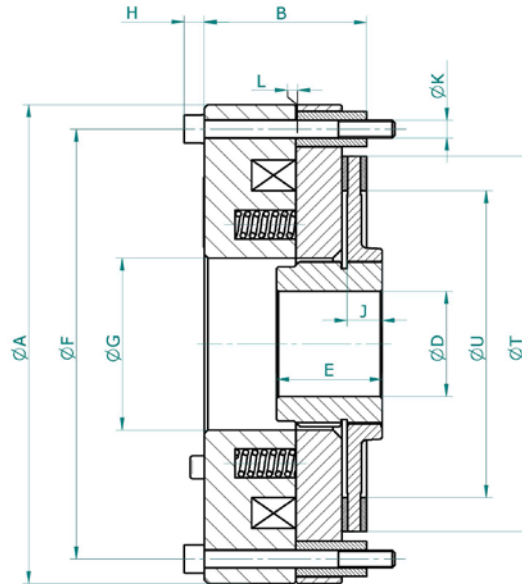
- Compact design with torque from 100Nm up to 2500Nm
- Single magnet and single friction disc
- Low noise level through the life of the brake (<45dB(A) out of box)
- Speeds up to 3500rpm
- Equipped with micro switch or proximity sensor
- Nearly maintenance free (further information in our service manual)
- Overexcitation (dual voltage) or single voltage
- Customization on request
- According to norm requirements

(BGV-C1; DIN 56950-1; EN81-20/50, DGUV §17...)

Several options available such as hand release, dust cover, connectors, ...

FENIX 08 Motor Brake

Electrically Released Brake



Size			01	02	03	06	10	15	23
Static Torque Winch Brake		Nm	100	200	300	600	1000	1500	2300
Other Available Torque	Min.	Nm	75	150	250	500	900	1500	2000
	Max.	Nm	150	250	450	800	1300	2000	2500
Cert. Max. Speed		m/s	7	7	7.1	6.8	6.5	6	6
Cert. Max. Speed		rpm	1200	1000	800	600	500	400	350
High Energy/Speed Torque Motor Brake		Nm	70	140	210	400	700	1000	1600
Other Available Torque	Min.	Nm	50	100	150	350	600	1000	1400
	Max.	Nm	100	150	300	550	900	1400	1700
Cert. Max. Speed		m/s	20	20	20	20	20	20	20
Cert. Max. Speed		rpm	3500	2800	2200	1900	1500	1400	1200
A	mm		165	194	234	274	332	352	395
B	mm		75	80	81	91	83	111	115
D Standard H7	mm	Can vary depending on customer specification.							
E	mm								
F	mm		145	170	214	250	303	320	358
G	mm		59	70	80	98	145	145	165
H	mm		9.4	9.4	9.4	11.6	13.1	13.1	17.3
J	mm		13	13	13	30	30	30	28.5
K	-		3xM8	3xM8	6xM8	4xM10	4xM12	6xM12	4xM16
L Nominal	mm		0.4	0.4	0.4	0.4	0.4	0.5	0.5
T	mm		125	150	193	225	275	290	325
U	mm		90	116	145	175	230	250	280
Hand Release	-		Option						
Weight	Kg		9	13	20	32	41	63	80