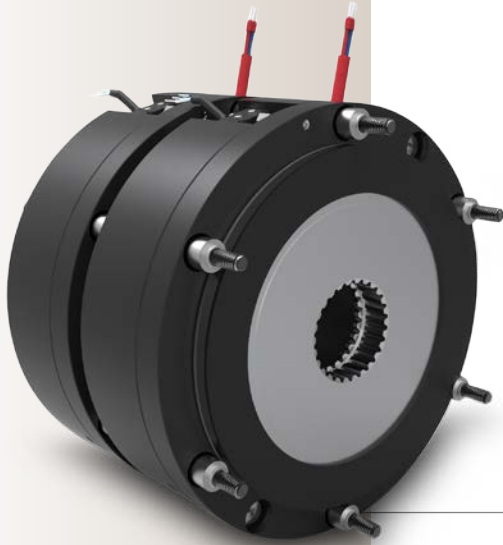


I N T R O D U C I N G

The FENIX 09 Brake

Electrically Released Brake
for Stage & Theater Applications



Developed for the Elevator application, the FENIX Brake range offer the most reliable dampening system of the market. Using friction material specifically developed for this application by our own engineers the FENIX 09 brake provide the highest level of safety for your installation with a full redundancy.

Features

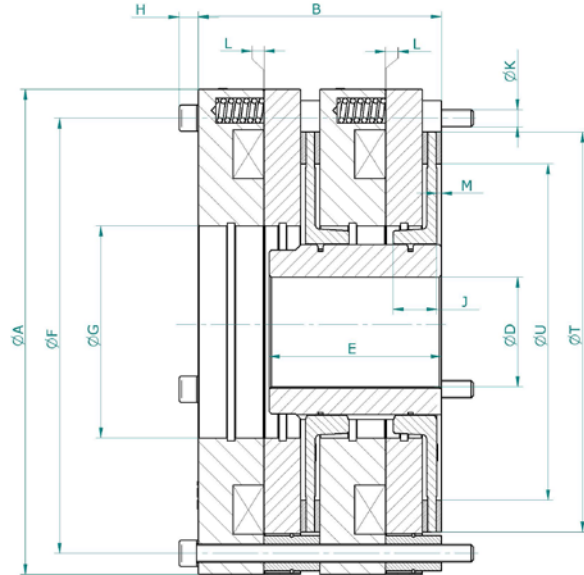
- Compact design with torque from 2x100Nm up to 2x2500Nm
- Double magnet and two friction disc
- Low noise level through the life of the brake (<45dB(A) out of box)
- Speeds up to 3500rpm
- Equipped with micro switch or proximity sensor
- Nearly maintenance free (further information in our service manual)
- Overexcitation (dual voltage) or single voltage
- Customization on request
- According to Norm Requirments
(BGV-C1; DIN 56950-1; EN81-20/50, DGUV §17...)

Several options available such as hand release, dust cover, connectors, ...



FENIX 09 Motor Brake

Electrically Released Brake



Size			01	02	03	06	10	15	23
Static Torque Winch Brake		Nm	2x 100	2x 200	2x 300	2x 600	2x 1000	2x 1500	2x 2300
Other Available Torque	Min.	Nm	2x 75	2x 150	2x 250	2x 500	2x 900	2x 1500	2x 2000
	Max.	Nm	2x 150	2x 250	2x 450	2x 800	2x 1300	2x 2000	2x 2500
Cert. Max. Speed		m/s	7	7	7.1	6.8	6.5	6	6
Cert. Max. Speed		rpm	1200	1000	800	600	500	400	350
High Energy/Speed Torque Motor Brake		Nm	2x 70	2x 140	2x 210	2x 400	2x 700	2x 1000	2x 1600
Other Available Torque	Min.	Nm	2x 50	2x 100	2x 150	2x 350	2x 600	2x 1000	2x 1600
	Max.	Nm	2x100	2x 150	2x 300	2x 550	2x 900	2x 1400	2x 1700
Cert. Max. Speed		m/s	20	20	20	20	20	20	20
Cert. Max. Speed		rpm	3500	2800	2200	1900	1500	1400	1200
A		mm	165	194	234	274	332	352	395
B		mm	165	175	180	187	166	222	230
D Standard H7		mm	Can vary depending on customer specification.						
E		mm	Can vary depending on customer specification.						
F		mm	145	170	214	250	303	320	358
G		mm	59	70	80	98	145	145	165
H		mm	9.4	9.4	9.4	11.6	13.1	13.1	17.3
J		mm	13	13	13	30	30	30	28.5
K		-	3xM8	3xM8	6xM8	4xM10	4xM12	6xM12	4xM16
L Nominal		mm	0.4	0.4	0.4	0.4	0.4	0.5	0.5
T		mm	125	150	193	225	275	290	325
U		mm	90	116	145	175	230	250	280
Hand Release		-	Option						
Weight		Kg	20	28	42	64	82	126	160