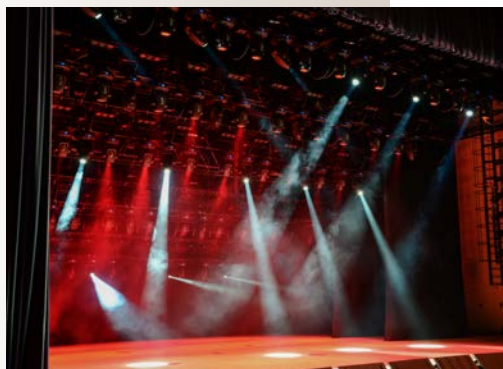


I N T R O D U C I N G

The ERS VAR 15 Brake

Electrically Released Brake for Stage & Theater Applications



The ERS VAR 15, an electrically released safety brake with fixed magnets and a floating friction disc, is a highly modular braking system. From 2 up to 4 magnets in standard configuration, it reduces over-torque issue compared to standard double brake when more than 2 magnets are used (redundancy on 1 magnet).

Features

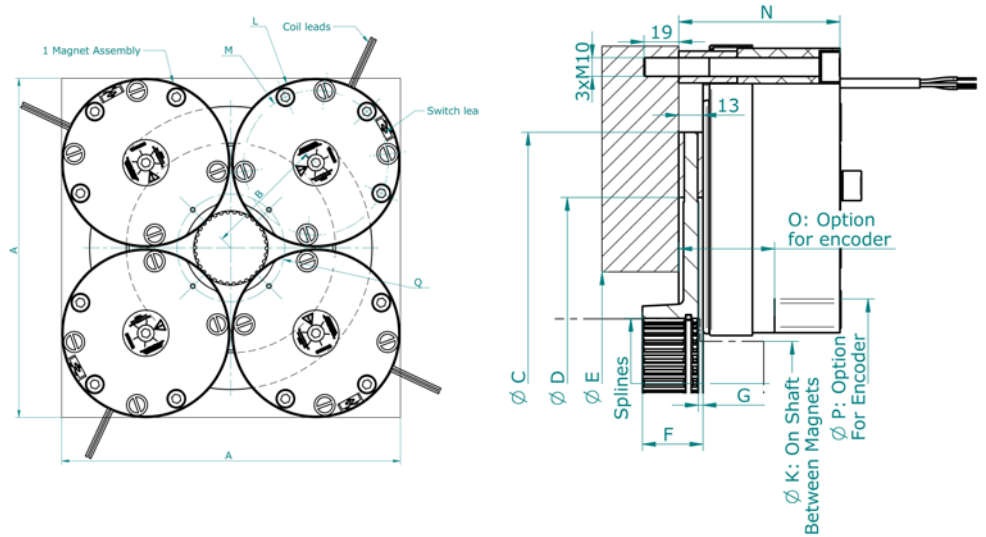
- Compact and modular design with torque from 2x180Nm up to 4x500Nm
- From 2 up to 4 magnets in standard configuration
- Low noise level through the life of the brake (<50dB(A) out of box)
- Speeds up to 1800rpm
- Equipped with micro switch or proximity sensor
- Nearly maintenance free (further information in our service manual)
- Overexcitation (dual voltage) or single voltage
- Customization on request
- According to Norm Requirements (BGV-C1; DIN 56950-1; EN81-20/50, DGUV §17...)

Several options available such as hand release, dust cover, connectors, ...



ERS VAR 15 Motor Brake

Electrically Released Brake



Size		ERS VAR15-02				ERS VAR15-11			
Friction Disc Ø	mm	237		270		237		270	
Standard Torque Per Magnet	Nm	250	320	300	350	300**	400**	350	500
Cert. Max. Speed	m/s	6.5	3.25	6.5	3.25	6.15	3.69	6.15	3.69
Cert. Max. Speed	rpm	600	300	500	250	500	300	500	300
High Energy/Speed	Nm	180	230	210	250	210	290	250	360
Cert. Max. Speed	m/s	20	20	20	20	20	20	20	20
Cert. Max. Speed	rpm	1800	1800	1600	1600	1800	1800	1600	1600
A	mm	290		305		292		324	
B	mm	103		112		93		115	
C	mm	237		270		237		270	
D	mm	177		200		177		200	
E _{min}	mm	100		100		100		100	
F	mm	30		30		30		30	
G	mm	3		3		3		3	
K	mm	59		78		25		69	
L Nominal	mm	143				161			
M	mm	124				138			
N	mm	101		101		86		86	
O (*)	mm	40		40		51		51	
P(*)	mm	83		105		50		90	
Q(*)	-	90		108		59		103	
Hand Release	-	Option							
Weight	Kg	10				11			

(*) Option For Encoder

(**) 2 Magnets Maximum