

EDI Spring-Applied Dual-Disc Brakes

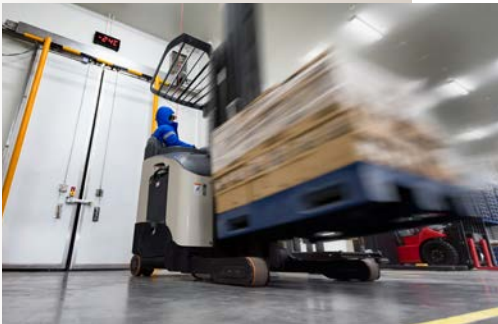
For integration into Electric Forklift
and AWP In-Line Drive System

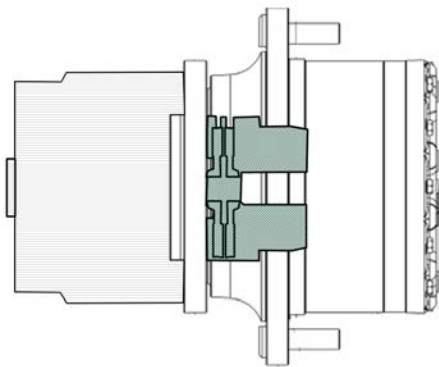
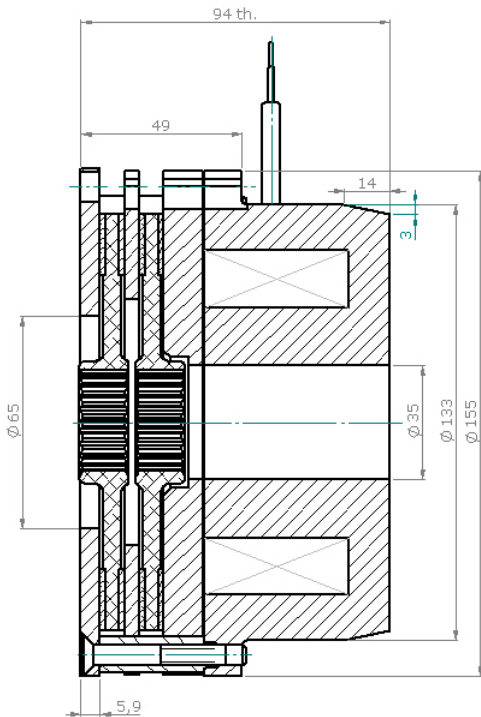
Parking and emergency braking functionality

The EDI range is a spring-applied electromagnetic safety brake specially designed for easy integration into in-line vehicle drivetrains. Models utilize two friction discs for enhanced performance.

- High torque in reduced diameter - Torque 200Nm
- Special compact design allows the unit to fit in confined drivetrain space while providing better dynamic drive control for improved vehicle maneuverability
- Dual voltage coil controlled via PWM (Pulse Width Modulation) provides long service life with reduced power consumption
- Installed within enclosed drivetrain to prevent environmental contaminants ingress

Special friction material, designed for E-mobility applications, provides proven efficiency based on extensive prototype life-cycle testing. The select material offers the perfect balance between static torque for parking and dynamic torque for high energy service and emergency stopping over its service life.





SPRING APPLIED BRAKES FOR ELECTRIC DRIVES

DOUBLE DISC BRAKE (PK35 DIAMETER)

- Specially designed for integration within drivetrain
- Reduces total length of the drive assembly

FEATURES

- One-piece design for easy assembly
- High torque in reduced diameter - Torque 200Nm
- Fully adapted design to fit inside the drivetrain
- Dual-voltage coil for power consumption reduction
- Longer battery life
- Overall lower maintenance costs
- Friction material selected for E-mobility applications
- Single-disc version is available
- WES Sensor option is also available

