

CBC-801-3 Clutch/Brake Control

Service & Installation Instructions

P-2112-WE
819-0557



Introduction

The Warner Electric CBC-803 is a 35 mm din-rail mount clutch/brake control designed for operations of all Warner Electric 24 volt DC clutches and brakes. They should not, however, be used to directly power Warner Electric permanent magnet failsafe brakes as these products require an adjustable current or voltage supply for optimum release.

This control indicates when the brake and clutch are energized with red and green LED's respectively.

There is also a yellow power indicator to show the control has power.

An internal fuse protects from over voltage and short circuit protection protects against an overload condition.

RED LED: Brake

GREEN LED: Clutch

Specifications

Input

85 to 275 VAC

Output

24 VDC @ 2A

Fusing (under cover)

2.5A Slo Blo

Switching (external to control, supplied by customer)

- 1) DPDT 10A-28 VDC or
- 2) SPST 10A-28 VDC

Ambient Temperature

15° to +130°F (-29° to 50°C)

Cycle Rate:

Consult the Application Engineering section of Warner Electric Catalogs, P-8586-WE, P-8587-WE, P-8588-WE, P-8589-WE, P-8590-WE or P-1264-WE, for the capabilities of your application.



Reorder Information

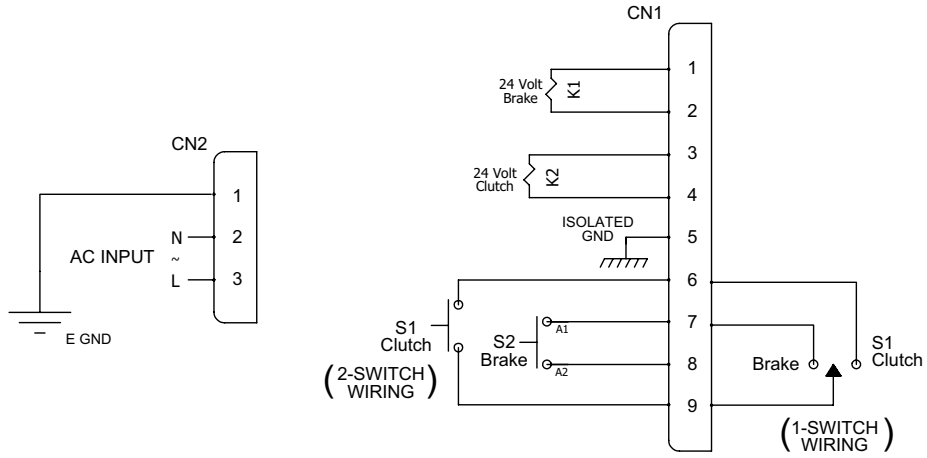
Model	Part Number
CBC-801-3	6001-448-007

Installation

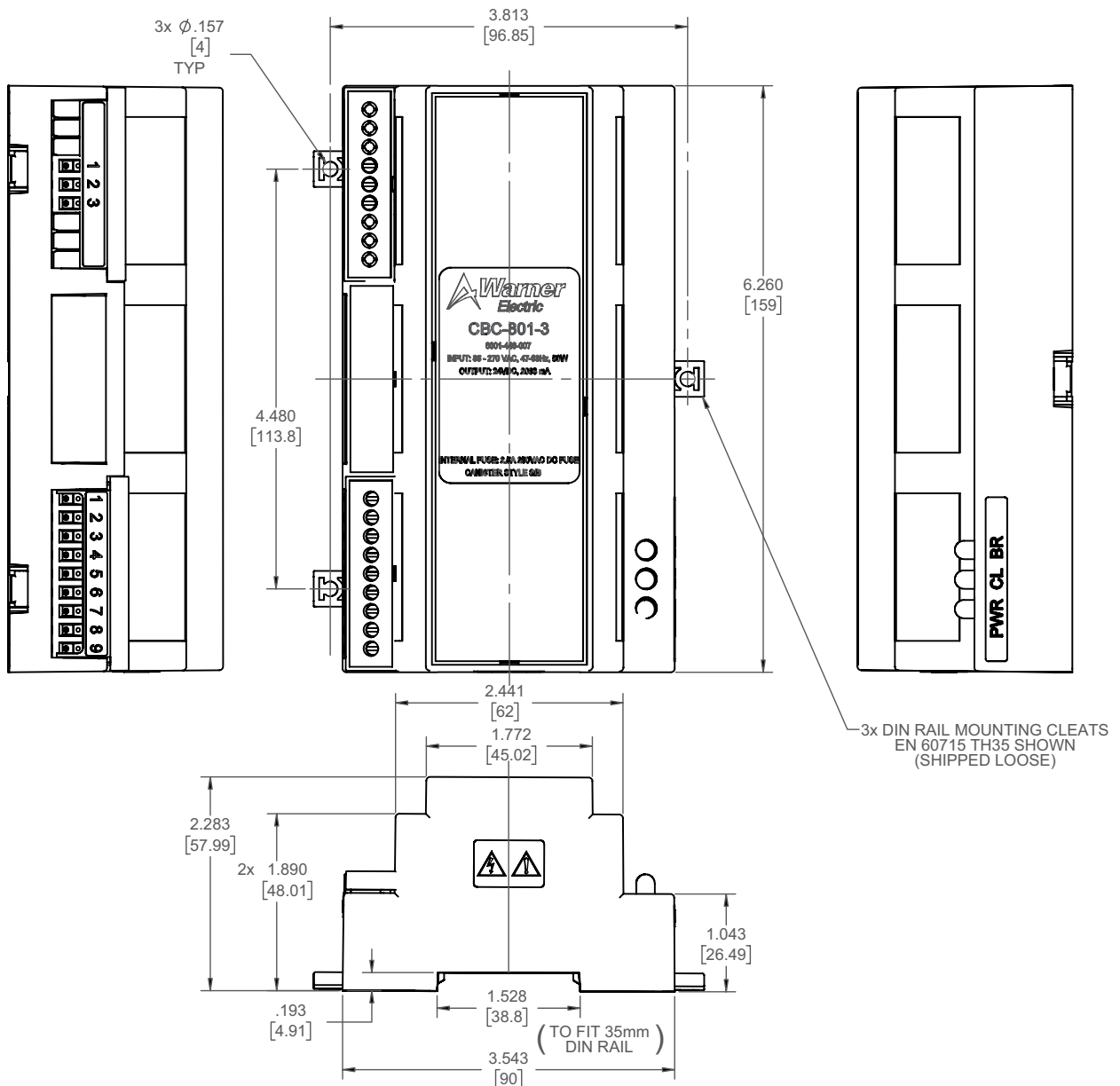
⚠ WARNING To avoid injury (or even death), always make certain all power is off before attempting to install this control or any electrical equipment.

1. Connect the two wires from the brake to terminals 1 and 2, of the 9 pin connector.
2. Connect the two wires from the clutch to terminals 3 and 4, of the 9 pin connector.
3. Connect the switch to terminals 6, 7, and 9, per the wiring diagram. If using 2 switches, connect switch 1 to terminals 7 and 8, and switch 2 to terminals 6 and 9.
4. Connect AC input to terminals 2 and 3, of the 3 pin connector. Pin 1 is earth ground.

Connection



Dimensions



Warranty

Warner Electric LLC warrants that it will repair or replace (whichever it deems advisable) any product manufactured and sold by it which proves to be defective in material or workmanship within a period of one (1) year from the date of original purchase for consumer, commercial or industrial use.

This warranty extends only to the original purchaser and is not transferable or assignable without Warner Electric LLC's prior consent.

Warranty service can be obtained in the U.S.A. by returning any defective product, transportation charges prepaid, to the appropriate Warner Electric LLC factory. Additional warranty information may be obtained by writing the Customer Satisfaction Department, Warner Electric LLC, 449 Gardner Street, South Beloit, Illinois 61080, or by calling 815-389-3771.

A purchase receipt or other proof of original purchase will be required before warranty service is rendered. If found defective under the terms of this warranty, repair or replacement will be made, without charge, together with a refund for transportation costs. If found not to be defective, you will be notified and, with your consent, the item will be repaired or replaced and returned to you at your expense.

This warranty covers normal use and does not cover damage or defect which results from alteration, accident, neglect, or improper installation, operation, or maintenance.

Some states do not allow limitation on how long an implied warranty lasts, so the above limitation may not apply to you.

Warner Electric LLC's obligation under this warranty is limited to the repair or replacement of the defective product and in no event shall Warner Electric LLC be liable for consequential, indirect, or incidental damages of any kind incurred by reason of the manufacture, sale or use of any defective product. Warner Electric LLC neither assumes nor authorizes any other person to give any other warranty or to assume any other obligation or liability on its behalf.

WITH RESPECT TO CONSUMER USE OF THE PRODUCT, ANY IMPLIED WARRANTIES WHICH THE CONSUMER MAY HAVE ARE LIMITED IN DURATION TO ONE YEAR FROM THE DATE OF ORIGINAL CONSUMER PURCHASE. WITH RESPECT TO COMMERCIAL AND INDUSTRIAL USES OF THE PRODUCT, THE FOREGOING WARRANTY IS IN LIEU OF AND EXCLUDES ALL OTHER WARRANTIES, WHETHER EXPRESSED OR IMPLIED BY OPERATION OF LAW OR OTHERWISE, INCLUDING, BUT NOT LIMITED TO, ANY IMPLIED WARRANTIES OF MERCHANTABILITY OR FITNESS.

Some states do not allow the exclusion or limitation of incidental or consequential damages, so the above limitation or exclusion may not apply to you. This warranty gives you specific legal rights and you may also have other rights which vary from state to state.

Changes in Dimensions and Specifications

All dimensions and specifications shown in Warner Electric catalogs are subject to change without notice. Weights do not include weight of boxing for shipment. Certified prints will be furnished without charge on request to Warner Electric.



www.warnerelectric.com

31 Industrial Park Road
New Hartford, CT 06057
815-389-3771