

B-Track Features

Rugged Duty Actuators

Key Features

- Weather-tight sealed
- Patented in-line load transfer
- Heavy wall rod and cover tube
- High performance motors
- Up to 2,800 lb. (12455 N) capacity
- Speeds up to 2" per second

Standard Models

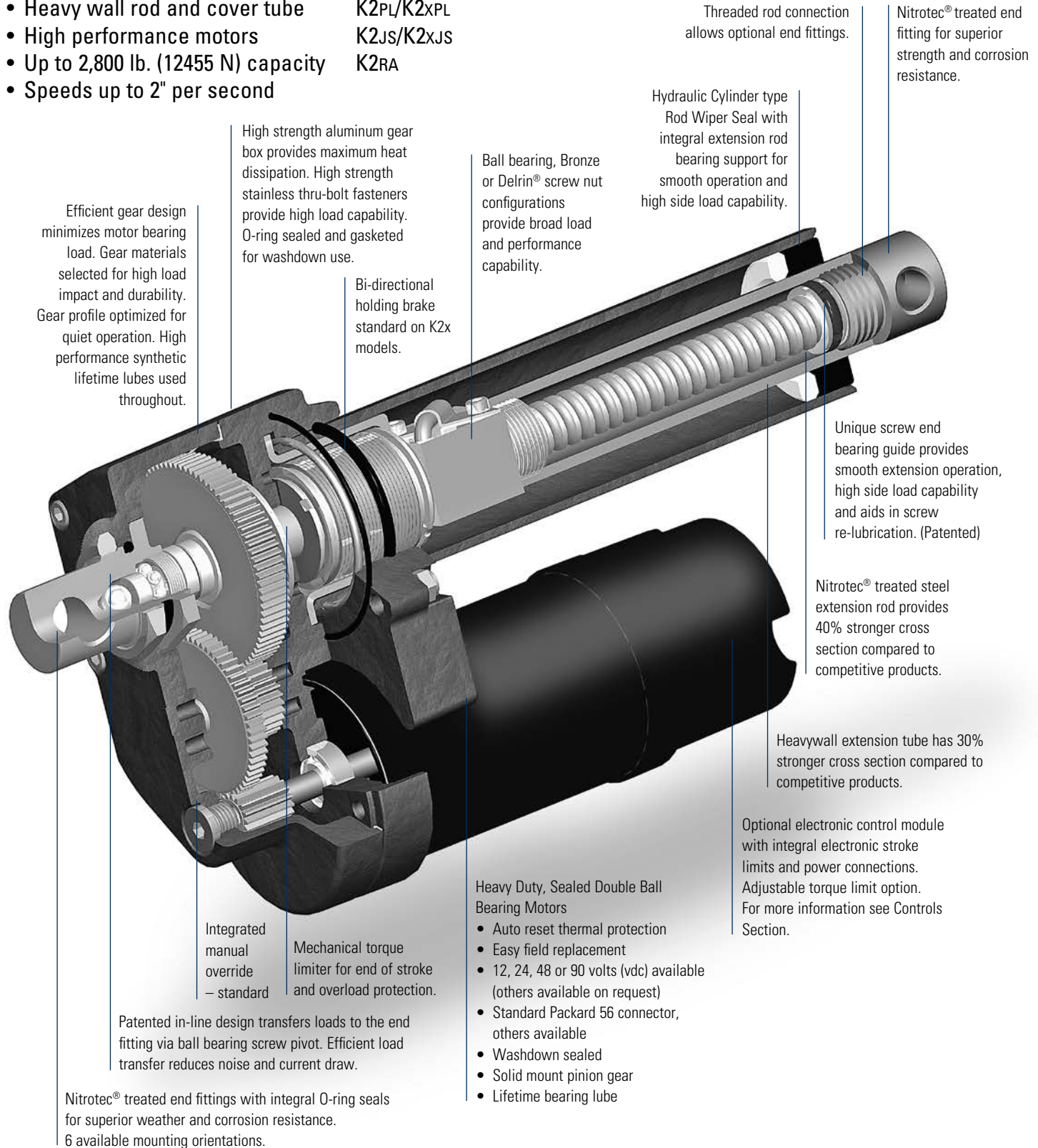
K2VL, K2, K2X, K2AC, K2XAC

Option Models

K2PL/K2XPL

K2JS/K2XJS

K2RA



Efficient gear design minimizes motor bearing load. Gear materials selected for high load impact and durability. Gear profile optimized for quiet operation. High performance synthetic lifetime lubes used throughout.

High strength aluminum gear box provides maximum heat dissipation. High strength stainless thru-bolt fasteners provide high load capability. O-ring sealed and gasketed for washdown use.

Bi-directional holding brake standard on K2x models.

Ball bearing, Bronze or Delrin® screw nut configurations provide broad load and performance capability.

Hydraulic Cylinder type Rod Wiper Seal with integral extension rod bearing support for smooth operation and high side load capability.

Threaded rod connection allows optional end fittings.

Nitrotec® treated end fitting for superior strength and corrosion resistance.

Unique screw end bearing guide provides smooth extension operation, high side load capability and aids in screw re-lubrication. (Patented)

Nitrotec® treated steel extension rod provides 40% stronger cross section compared to competitive products.

Heavywall extension tube has 30% stronger cross section compared to competitive products.

Optional electronic control module with integral electronic stroke limits and power connections. Adjustable torque limit option. For more information see Controls Section.

Integrated manual override – standard

Mechanical torque limiter for end of stroke and overload protection.

Patented in-line design transfers loads to the end fitting via ball bearing screw pivot. Efficient load transfer reduces noise and current draw.

Nitrotec® treated end fittings with integral O-ring seals for superior weather and corrosion resistance. 6 available mounting orientations.

- Heavy Duty, Sealed Double Ball Bearing Motors
- Auto reset thermal protection
 - Easy field replacement
 - 12, 24, 48 or 90 volts (vdc) available (others available on request)
 - Standard Packard 56 connector, others available
 - Washdown sealed
 - Solid mount pinion gear
 - Lifetime bearing lube