

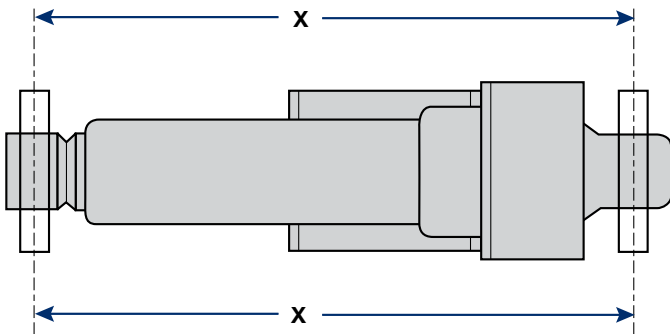
# General Mounting Information

Warner Linear actuators are quickly and easily mounted by slipping pins through the holes at each end of the unit and into the brackets on the machine frame and load to be moved.

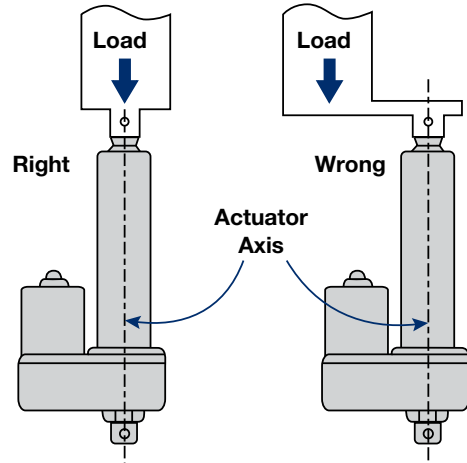
Use of solid pins provide maximum holding capability with a retaining ring or cotter pin on each end to prevent the solid pin from falling out of the mounting bracket (it is best to avoid roll pins and spring pins).



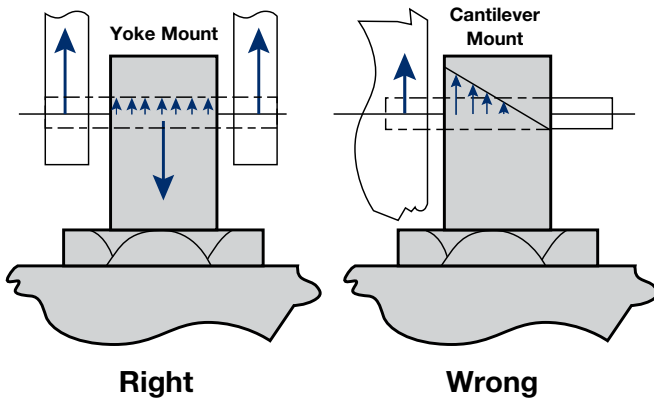
Scan to watch!  
**Proper Steps and Best Practices for Mounting of Warner Linear Actuators Video**  
<https://p.widencdn.net/k3etry>



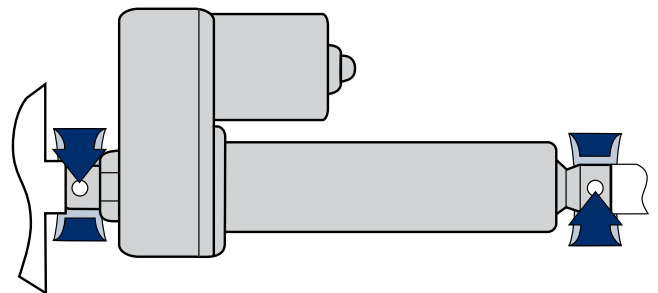
Mounting pins must be parallel to each other as shown above. Pins which are not parallel can cause excess vibration or actuator binding.



Loads should act along the axis of the actuator. Off-center loads may cause binding and lead to premature unit failure.



Ensure that mounting pins are supported at both ends. Cantilevered mounting is unacceptable. Failure to provide proper support will shorten unit life.



Do not attempt to mount M-Track actuators by the cover tube. The tube is not designed to support the forces required for tube mounting.

All actuator mounting supports must be capable of withstanding the load and torque developed when the unit extends or retracts. Restraining torque values are also provided with the details on each unit.

**M-Track** Torque created 20 inch pounds (2.3 Nm)  
**All others** Torque created 100 inch pounds (2.3 Nm)