

Any of Warner Linear's K2 or K2x actuators can be provided with Hall effect or reed switches to be used by the customer to control actuator start/stopping & positioning. The Hall effect and reed switches are both non-contact, and use a magnet mounted on the screw inside the actuator tube to activate. Actuators can have 2-4 switches dependent on stroke length.

## Hall Effect

The Hall effect switch is an NPN output/current sinking and requires a pull-up resistor to operate.

The Hall effect switches can also be configured to provide positioning information. A ten tooth wheel with two switches is used to provide an A and B pulse for position and direction along with a home switch and fully extended switch. This unit would be a "SO4" configuration.

### Hall Effect Switch Part Numbers Available, with K2 actuator product:

**SO2H** – 2 end limit switches

### Hall Effect Switch Part Numbers Available, with K2E or K2xE actuator product:

**SO2H** – 2 end limit switches

**SO3W** – 2 wheel position switches & home end limit switch

**SO3H** – 2 end & 1 mid limit switches

**SO4W** – 2 wheel position switches & 2 end limit switches

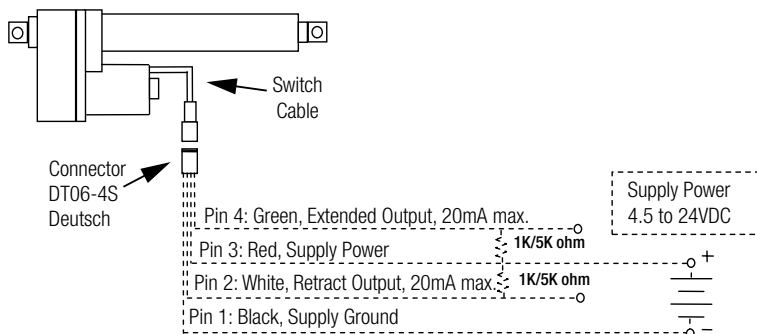
**SO4H** – 2 end & 2 mid limit switches

**Note 1:** Consult factory for other options if needed

**Note 2:** Units with 3 switches can be no shorter than 4" and units with 4 switches can be no shorter than 6".

Hall Effect	
<b>Supply Voltage:</b>	4.75 to 24 VDCt
<b>Output:</b>	Current sinking, max. of 25mA
<b>Lead Wires:</b>	24 AWG
<b>Operating Temperature:</b>	-40° C to +85° C
<b>Protection:</b>	Reverse polarity protected
<b>Housing:</b>	Rugged thermoplastic, sealed

## SO2H Hall Effect



All dashed lines are customer supplied connections

## Reed

The reed switch can only be provided on a K2E or K2xE actuator (adjustable unit). Switches can be selected as normally open (O) or normally closed (C).

### Reed Switch Part Numbers Available, with K2E or K2xE actuator product only:

**SO2O** – 2 Normally Open, adjustable reed switches

**SO2C** – 2 Normally Closed, adjustable reed switches

**SO3O** – 3 Normally Open, adjustable reed switches

**SO3C** – 3 Normally Closed, adjustable reed switches

**SO4O** – 4 Normally Open, adjustable reed switches

**SO4C** – 4 Normally Closed, adjustable reed switches

**Note 1:** Consult factory for other options if needed

**Note 2:** Units with 3 switches can be no shorter than 4" and units with 4 switches can be no shorter than 6".

Reed	
<b>Supply Voltage:</b>	Up to 200 VDC max. O switch Up to 175 VDC max. C switch
<b>Switching Current:</b>	1.2 Amps max. O switch 1.5 Amps max. C switch
<b>Contact Rating:</b>	10 Watts max. O switch 5 Watts max. C switch
<b>Lead Wires:</b>	24 AWG
<b>Operating Temperature:</b>	-40° C to +105° C
<b>Housing:</b>	Hermetically sealed

## SO2O Normally Open Reed

