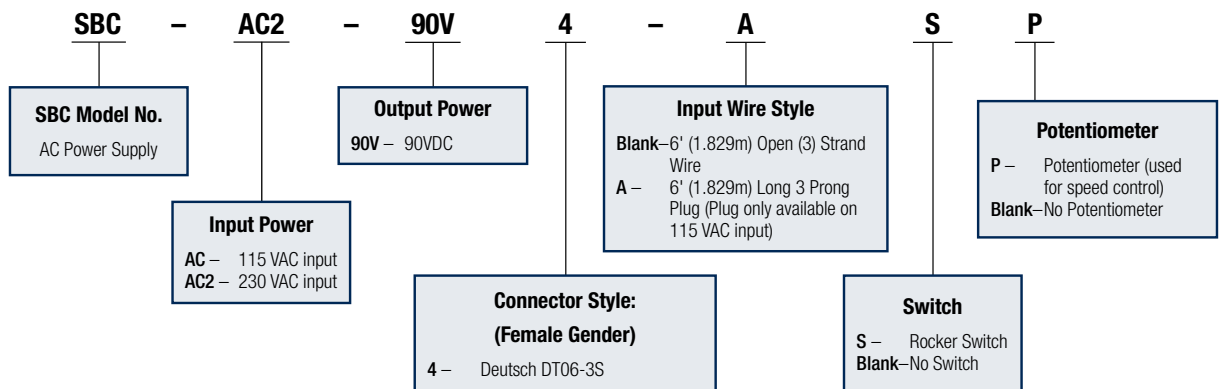


SBC-AC/SBC-AC2 Power Supply 90 volt output



- Input:** AC: 115 volt AC
AC2: 230 volt AC
- Output:** 90 volts DC @ 5 Amps
- Input Cable:** Standard: 6 ft. (1.829m) open end, tinned cable
Optional for 115 AC 6 ft. (1.829m) with 115 VAC 3 prong plug
- Output Cable:** 1 ft. (.30m) cable with 3-pin Deutsch connector
Optional extension cables can be ordered in 5-25 ft. (1.524-7.62m) lengths
- Enclosure:** 4.72"L x 4.72"W x 3.15"H (119.89mm L x 119.89mm W x 80.01mm H) polycarbonate housing NEMA 4, 4x, 12, 13
- Fusing:** External fuse mounted on enclosure for easy replacement
- Switching:** DPDT momentary rocker switch for manual actuator control or Customer may supply their own switch
- Potentiometer:** Optional speed pot allows for output voltage adjustment (varies actuator speed)

Example:



K2/K2x Power Supplies

SBC-AC/SBC-AC2 Power Supply 24 volt output



Input: AC: 115 volt AC
AC2: 230 volt AC

Output: 24 volts @ 12 Amps

Input Cable: Standard: 6 ft. (1.829m) open end, tinned cable
Optional for 115 AC 6 ft. (1.829m) with 115 VAC 3 prong plug

Output Cable: Standard 1 ft. (.30m) cable: specify connector to match actuator:
 1. Mini Packard standard for M-Track actuators
 2. Packard 56 standard on K2 and K2x model actuators
 3. Packard WeatherPack optional on K2 and K2x model actuators
 4. Deutsch DT06-2S optional on K2 and K2x model actuators
 5. Optional extension output cables can be ordered in 5-25 ft. (1.524-7.62m) lengths

Enclosure: 6.69"L x 6.69"W x 3.54"H (169.93mm L x 169.93mm W x 89.916mm H) polycarbonate housing NEMA 4, 4x, 12, 13

Fusing: External fuse mounted on enclosure for easy replacement

Switching: DPDT momentary rocker switch for manual actuator control or Customer may supply their own switch

Live Power Option: When used with BTc control options (limit switch, potentiometer feedback) the Live Power option is required. Live power option provides a constant output power source for external control components regardless of output power to the actuator. (See Extension Cable selection to select the correct cable for this option.)

Example:

