

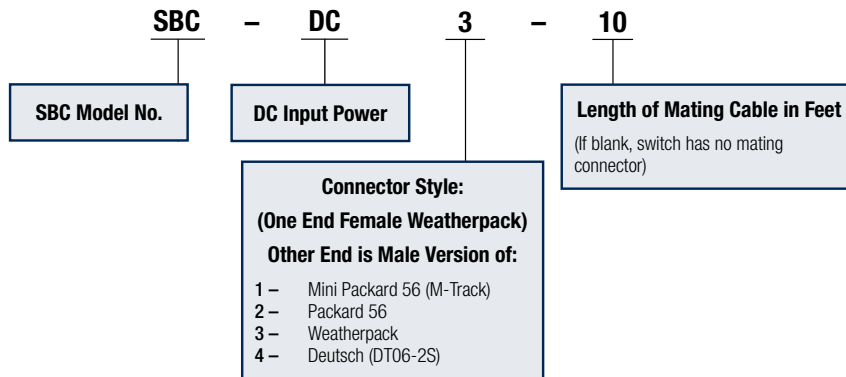
# Simple Switch Box Controls

All actuators are controlled using an external-retract-off switching function. The SBC-DC and SBC-AC provide a simple mounted switch compatible with Warner Linear actuators.

## SBC-DC



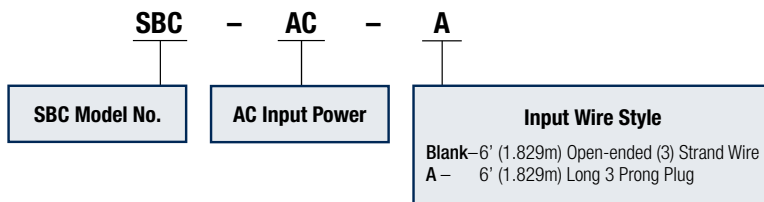
**Power:** Compatible with 12, 24 and 48 volt DC actuators  
**Function:** Extend, Retract, Off via DPDT momentary toggle switch  
**Enclosure:** ABS plastic enclosure 4.7" L x 3.2" W x 2.2" H (119.38mm L x 81.28mm W x 55.88mm H)  
**Input Cable:** 12ft. (3.66m), 2 wire, 14AWG cable with alligator clip ends  
**Output Cable:** 1ft. (.30m) cable provided. Designate connector appropriate to actuator being used  
 Optional extension cables are available in 5-25ft (1.524 - 7.62m) lengths



## SBC-AC



**Power:** Compatible with 115 or 230 volt VAC input  
**Function:** Extend, Retract, Off via DPDT momentary contact switch  
**Enclosure:** 4.72" L x 4.72" W x 3.15" (119.89mm L x 119.89mm W x 80.01mm H) long dust tight enclosure  
**Protection:** Externally mounted 5 Amp fuse on outside of enclosure for easy replacement  
**Input Cable:** 6ft. (1.829m) open ended tinned AC input cable provided  
**Output Cable:** Sealed cable gland included for customer supplied output cable



## Optional Extension and Control Power Cables

Power supplies include a 1ft. (.30m) length cable to connect to actuator.

Accessory cables may be ordered in lengths of 5, 10, 20 and 25 feet (1.524, 3.048, 6.096 and 7.62 meters) with the appropriate connector for the actuator selected. (mini-packard, Packard 56, Weatherpack, Deutsch)

Live Power (LP) cables are required to provide constant power to BTc Limit switch or potentiometer feedback circuits mounted on the actuator. LP cables provide two connectors.

Signal Cables (SC) provide the LP cable with two additional connectors for use with limit switch or potentiometer feedback.