

# Customer Service

---



For over 60 years Wichita Clutch has provided engineered solutions to the most demanding torque control problems.

Founded in 1947, Wichita Clutch began manufacturing air-tube disc clutches and brakes. Today, we are recognized as a global leader in heavy-duty power transmission.

## Total Support

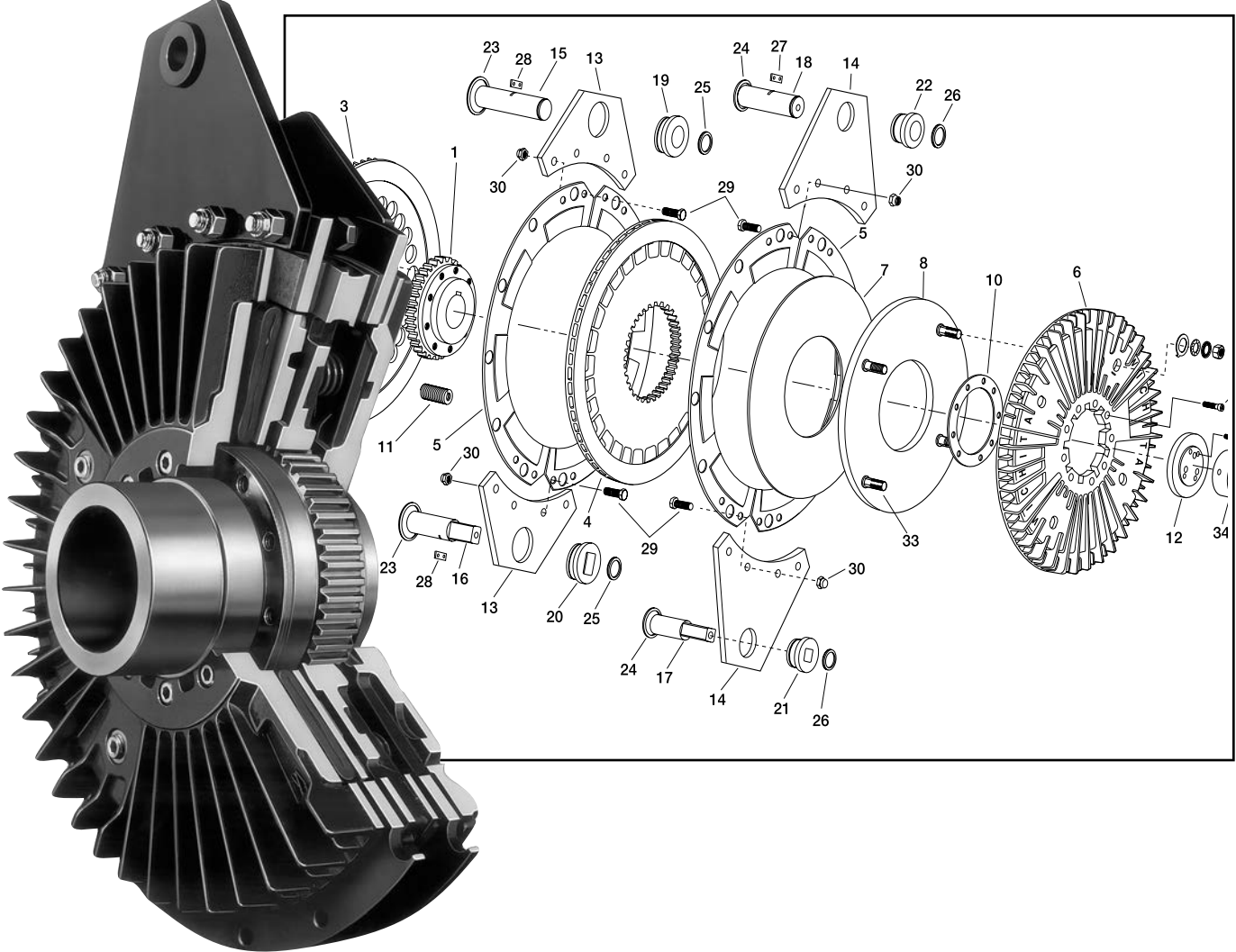
Superior customer service is a common denominator at Wichita Clutch. It is this philosophy that places the needs of our customers at the central focus of our efforts. By implementing Cellular Manufacturing, Kan-Ban and Just-In-Time scheduling, our customers receive the products they require precisely when needed. And our computerized order entry systems allow quick and timely answers to your questions. A national distributor network puts local Wichita specialists only a phone call away.

## Assured quality

Wichita Clutch has instituted quality assurance procedures aimed at achieving the ultimate in product reliability. We employ sophisticated Statistical Process Control (SPC) programs to ensure product consistency. Working within our cellular manufacturing structure, every worker is responsible for maintaining unvarying product quality. Our conformity to specifications is your performance guarantee.



*Wichita Clutch Plant  
Wichita Falls, Texas*



## Engineering

Wichita has dedicated significant resources and talented people to the numerous engineering disciplines required to design, manufacture and apply our heavy duty clutches and brakes. Our application engineers provide timely response to your inquiries with our Computer Aided Product Selection (CAPS) system.

Our product engineers utilize the latest 3-Dimensional CAD equipment in the design of new products. Our dedication to emerging technologies has allowed us to solve the most challenging applications in heavy-duty power transmission.

The simple air-tube disc clutch design allows for greater torque capacity in multiple plate units at less pressure than drum clutch designs. Years of engineering development have produced a variety of designs used extensively by leading OEM's in all major heavy duty applications.

