

AirMaKKs
LiSSB
Air Cooled,
Low Inertia
Spring-Set
Brakes



An Altra Industrial Motion Company



WICHITA AIRMAKKS LISSB

The Wichita AirMaKks LiSSB is designed to provide braking assistance in applications including conveyors, cranes and drawworks where they serve as a main brake that provides both parking and E-stop functions.

The AirMaKks offers superior features for application usage, product performance, installation and serviceability, and interchangeability. These brakes offer significantly more torque (both static and dynamic) capacity over competing spring set plate brakes.

The stationary torque plates float axially on the frame and allow for lower rotating brake inertias, greater heat soak area, and accommodate electronic temperature sensing. With the rotating Friction Disc members being a splined

interface with the hub, extremely low rotating inertias are present. Competing plate brakes that utilize rotating rotors are commonly subjected to rotor/disc seizing to the hub that are a result of heat loading from 'brake drag' and excessive 'E-stops'. The AirMaKks design minimizes this common issue.

The torque columns prevent brake torque wrap while also eliminating the need for outboard brake support requirements. Wear adjustment shims are in the outboard position, so precise wear adjustments may be easily made to prevent dramatic 'worn condition' torque drops. Axial wear indication is also easily measured and may be done with an optional electronic sensor.

FEATURES

AirMaKks LiSSB models utilize the basic, easy-to-maintain, pin-style, modular design of the AquaMaKks including the brake jacket housing with torque plates installed instead of water jackets.

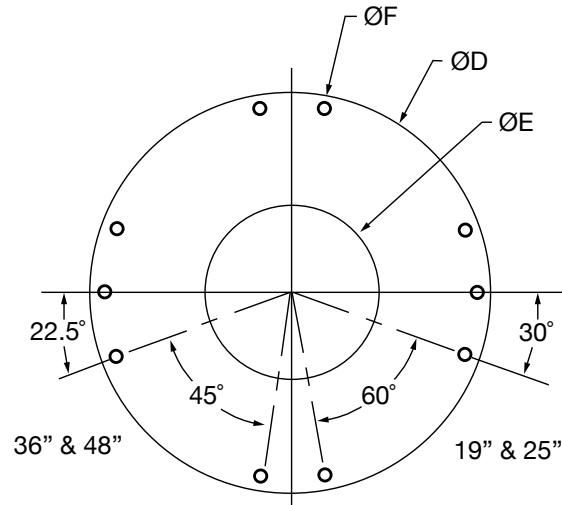
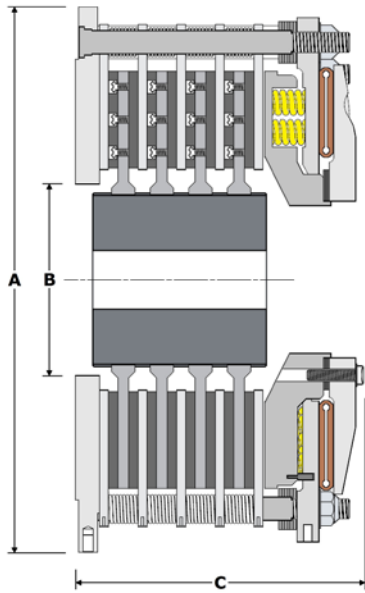
- Air cooled, spring-set air tube release high torque brake
- HiCo frictions offer extremely high torque characteristic, long friction life, and are proven
- Marine version with optional stainless steel torque plates designed to withstand the highly corrosive environment of an offshore deck area where sea spray and direct seawater splash is prevalent
- Three-part epoxy marine grade paint and engineered corrosion resistant coatings for added protection on offshore rig applications
- Pneumatic Airtube, Hydraulic or Dual Actuated
- Available in 19, 25, 36, & 48 inch sizes
- Additional sizes available upon request
- Select units interchangeable with competing pin style brakes

AVAILABLE OPTIONS:

Optional for direct sea spray applications are the use of Stainless Steel Torque Plates and unique friction material to provide a corrosion free braking system. This combination reduces static torque only slightly from the normal ductile iron configuration.

Optional Dual Actuator available. This version provides for fail-safe braking in a unique actuation circuit and a separate tensioning braking circuit that can be used when the Spring Set actuator is fully released.

Other options available to meet the customers need. Please contact a Wichita Engineer for additional information.



AirMaKks
Mounting Hole Pattern

Dimensions

Model Size - ATD	(A) Diameter*		(B) Diameter*		(C) Length*		Torque**		
	in.	(mm)	in.	(mm)	in.	(mm)	lbf-in	lbf-ft	Nm
119					13.14	334	148,800	12,400	16,812
219	2830	719	11	279	18.15	461	298,800	24,900	33,760
319					19.96	507	448,800	27,400	50,708
125					14.67	373	290,400	24,200	32,811
225	34.12	867	16.7	424	21.31	541	582,000	48,500	65,757
325					21.31	541	873,600	72,800	98,704
425					25.24	641	1,165,200	97,100	131,650
236					19.19	487	1,646,400	137,200	186,018
336	45.25	1,149	23.63	600	23.11	587	2,469,600	205,800	279,027
436					28.36	720	3,292,800	274,400	372,036
248					24.74	628	3,643,200	303,600	411,626
348	58.00	1,473	26	660	30.82	783	5,464,800	455,400	617,439
448					36.21	920	7,286,400	607,200	823,252

* Dimensions subject to change, contact a Wichita Clutch Engineer or Representative for validation

** Torque values based on Iron Torque plates, 95 psi balance pressure, and Hico linings.
120-130 psi full release pressure required. Optional Stainless Steel Torque plates will have slightly less torque.
Please contact a Wichita Clutch Engineer for other available options.

Model Size - ATD	Ø D		Ø E		Ø F		Hole Circle		ID Pilot		OD Pilot		# Holes Qty	PLT THK	
	in.	(mm)	in.	(mm)	in.	(mm)	in.	(mm)	in.	(mm)	in.	(mm)		in.	(mm)
19"	28.3	719	11	279	0.656	17	22.00	559	18.25	464	23.25	591	10	1.63	41
25"	24.12	867	16.7	424	0.656	17	28.75	730	24.38	619	30.00	762	10	1.63	41
36"	44.5	1130	23.6	599	1.062	27	42.00	1067	36.38	924	44.50	1130	10	1.614	41
48"	58	1473	26	660	1.438	37	54.00	1372	26.00	660	56.50	1435	16	1.75	44

Worldwide Distributors

Worldwide Support and Distributors

Argentina

TEKMATIC
(54114) 222-5040
(54114) 201-2478
info@tekmatic.com.ar

Australia

Altra Industrial Motion Australia (Pty) Ltd
+61 2 9894 0133
+61 2 9894 0368
sales@vamerelectric.com.au

Austria

Bibus Austria
+43 2242 33388
+43 2242 3338810
info@bibus.at

Belgium

AZ Hollink
+32 (0) 3 722 11 18
+32 (0) 3 722 11 19
info@azhollink.be

Brazil

KALATEC AUTOMACAO
(55193) 242-4797
(55193) 243-4316
kalatec@mpc.com.br

WAD EQUIPAMENTOS
(55313) 439-3439
(55313) 749-2129
wadventas@terra.com.br

Chile

CORYMAR
(563) 268-2807
(563) 297-8470
corymar@entelchile.net

KUPFER

(562) 696-5476
(562) 211-9801
akupfer@abkupfer.cl

Columbia

INDELEC LTDA.
(572) 683-3063
(572) 660-2064
indelec@indelec.com.co

JUAN ARIAS

1 954 603 6334
(571) 615-2420
juan.arias@altramotion.com

Sensores y Equipos
(574) 256-8301

WARNER INDUSTRIAL

(571) 679-3323
(571) 679-6672
warnerind@tutopia.com

Czech Republic

Bibus s.r.o.
+42 547 125 300
+42 547 125 319
bibus@bibus.cz

Denmark

AVN Automation A/S
+45 70 20 04 11
+45 86 80 55 88
fb@avn.dk

Ecuador

HIVIMAR Av.
(5934) 268-1100
(5934) 268-1199
info@hivimar.com

Egypt

Itaco
+ 20 2 2272 5754
+ 20 2 2273 7245
itacou@link.net

Eire

Torsion Dynamics Ltd
+353 1 846 1677
+353 1 846 1688
torsion@iol.ie

Finland

Knorring Oy AB
+358 9 56041
+358 9 565 2463
knorring@co.inet.fi

France

Société Fogex
+33 1 34 34 46 00
+33 1 34 34 46 01
info@fogex.com

Germany

Stieber GmbH Abt. Wichita
+49 6221 3047 19
+49 6221 3047 17
sales@stieber.de

Greece

Dimitrios Deliyiannis
+301 0610 8581
+301 0610 8583
delathen@ath.forthnet.gr

Hong Kong

Altra Industrial Motion Shui Hing Ltd
+852 2615 9313
+852 2615 9162
info@altramotion.com.cn

Hungary

Bibus Kft
+36 1 265 2733
+36 1 264 8900
info@bibus.hu

India

Francis Klein & Co. Pvt. Ltd
+91 20 255 397 70
+91 20 255 397 71
fkleinpune@francisklein.in

Israel

Larom Import Marketing
+972 499 37333
+972 505 239552
avi@larom-marketing.co.il

Italy

Bianchi Cuscinetti, Componenti E Trasmissioni SpA
+39 02 678 61
+39 02 670 1062
info@bianchicuscinetti.it

Japan

Japan Wichita Co Ltd
+ 81 3 3456 1461
+ 81 3 3456 1484
info@japanwichita.co.jp

Mexico

Industrial Magza, S.A. de G.V
68-63-28-31/55-60-00-53
55-60-07-56
magza@eclips.com.mx

New Zealand

Altra Industrial Motion Australia (Pty) Ltd
+61 2 9894 0133
+61 2 9894 0368
sales@vamerelectric.com.au

Norway

Betamo A S
+47 6927 5510
+47 6927 4550
benghans@c2i.net

Peru

BC Bearing Peru
(511) 561-9868
ventas-stgo@bccbearing.cl

Philippines

Altra Industrial Motion (Singapore) Pte. Ltd
+ 65 6487 4464
+ 65 6487 6674
sales@vamerelectric.com.sg

Poland

Bilbus Menos Sp. z.o.o.
+48 58 660 95 70
+48 58 661 71 32
info@bilbusmenos.pl

Portugal

Pinhol, Gomes & Gomes Lda
+ 351 21 425 6850
+ 351 21 425 6859
import.export@pinhol.com.pt

Singapore

Altra Industrial Motion (Singapore) Pte. Ltd
+ 65 487 4464
+ 65 487 6674
sales@altramotion.com.sg

Slovakia

Bibus SK s.r.o
+421 37/777 79 11
+421 3765 16701

Slovenia

INOTEH d.o.o.
+38 626 651 131
+38 626 652 081
info@inoteh.si

South Africa

Sintech Torque Control
+ 27 11 823 2359
+ 27 11 823 2387
sales@sintech.co.za

Spain

S.I.T. Sociedad Industrial De Transmisiones, SA
+34 943 45 7200
+34 943 46 3356
atencioncliente@sitsa.es

Sweden

LÖNNE SCANDINAVIA AB
+46 (0) 42 38 03 00
+46 (0) 42 38 03 09
info.sweden@lonne.com

Switzerland

Laesser AG
+41 62 791 6841
+41 62 791 3903
info@laesser-ag.ch

Taiwan

Warner Electric (Taiwan) Ltd
+ 886 2 577 8156
+ 886 2 570 6358
sales@altramotion.com.tw

Thailand

Altra Industrial Motion (Industrial) Ltd
+ 662 322 5527
+ 662 320 2380
kittipong.brahmasakha@warnerelectric-ap.com

The Netherlands

Stemin Power Transmission
+31 (0)573 252043
+31 (0)573 257113 & 256009
info@stemin.nl

Turkey

BIBUS Otomasyon San ve Tic.Ltd.Sti.
+90 212 293 82
+90 212 249 88 34
info@bibus.com.tr

Teka Teknik Cihazlar Sanayii ve Ticaret AS

+90 212 274 5124
+1 262 547 2949
skaya@tekat teknik.com.tr

U.S.A.

Industrial Clutch Products
+1 262 547 3357
+1 262 547 2949
info@indclutch.com

Wichita Clutch

+1 940 767 2000
+1 940 723 3436
wichita.info@wichitaclutch.com

Venezuela

TRP2800 C.A. CC y profesional Ceravica Of. 7
(58241) 617-2033
(58241) 825-8073
trp2800@telcel.net.ve

W Malaysia

Altra Industrial Motion (Singapore) Pte. Ltd
+ 65 487 4464
+ 65 487 6674
sales@altramotion.com.sg



www.wichitaclutch.com

2800 Fisher Road
Wichita Falls, TX 76302 - USA
940-723-3400
Fax: 940-723-3436

www.wichita.co.uk

Amphill Road
Bedford MK42 9RD - UK
+44 (0) 1234 350311
Fax: +44 (0) 1234 350317

Please visit www.wichitaclutch.com
for a list of authorized distributors