

Twiflex Limited

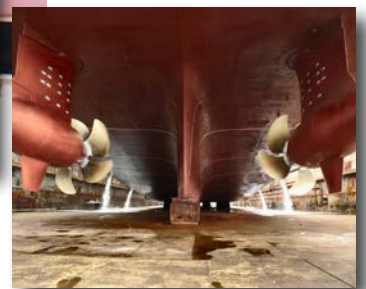
Ameridrives Couplings

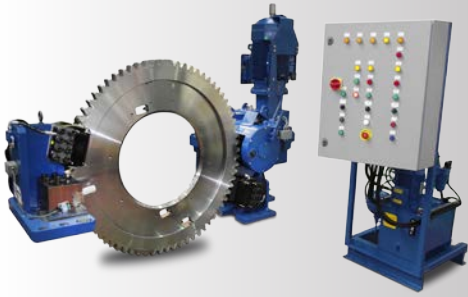
Wichita Clutch

Bibby Turboflex

Svendborg Brakes

Power Transmission Solutions for the Marine Market





The leading brand names of Altra Marine Technology can offer expertise in custom product solutions for a wide variety of marine propulsion applications.

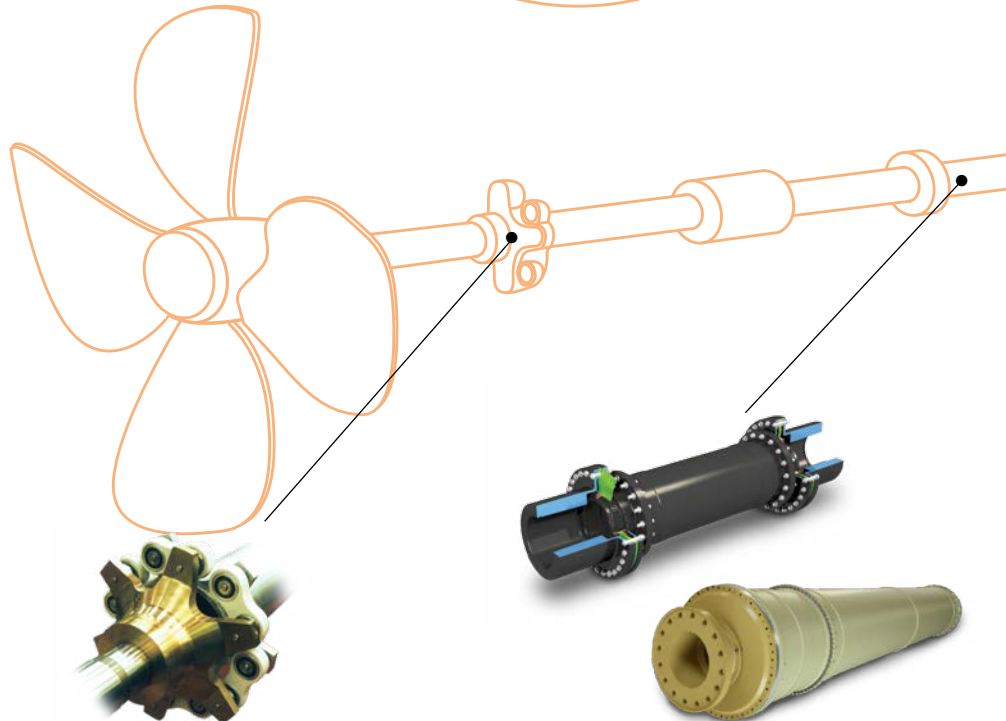
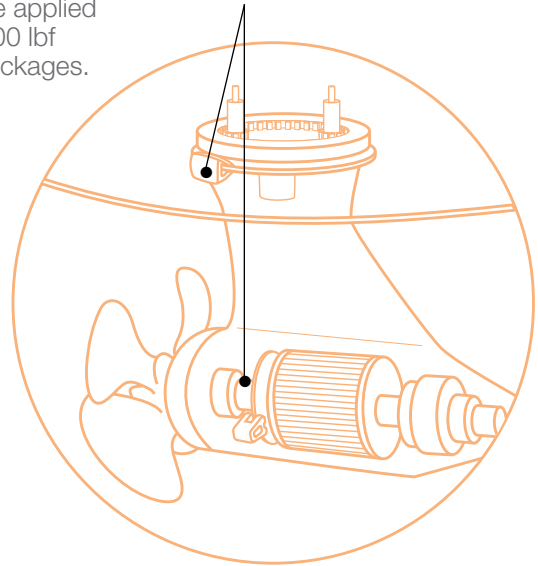
With manufacturing facilities in the US, Europe and China, the Altra Marine Technology family can provide support to the marine OEM's worldwide. As a leading multinational designer and producer of a wide range of electromechanical power transmission equipment, Altra offers products for marine propulsion applications where reliability and accuracy are necessary to avoid costly downtime, assure safe operation and consistent performance. Many Altra solutions and plants are GL (Germanischer Lloyd) and DNV (Det Norske Veritas) certified.

The new Twiflex Turning, Locking and Braking system is designed to be used on marine vessels where there is a need to rotate and hold the propulsion shaft during maintenance. When in dock the brakes are used to stop the shaft when the propellers rotate due to the flow stream. Once they are stationary the locking device is used to secure the drive.

Twiflex's TLB-180 produces a continuous turning torque of 103,260 lbf ft at 0.6 rpm in both directions. Braking and Static Locking torque is rated up to 132,760 lbf ft.

Podded or Azimuth Thruster Brakes
Twiflex Limited

Robust caliper brake solutions for podded and azimuth drives. Wide range of pneumatic pressure applied thrusters from 115 lbf to 8100 lbf offering compact braking packages.



Laylink Coupling
Twiflex Limited

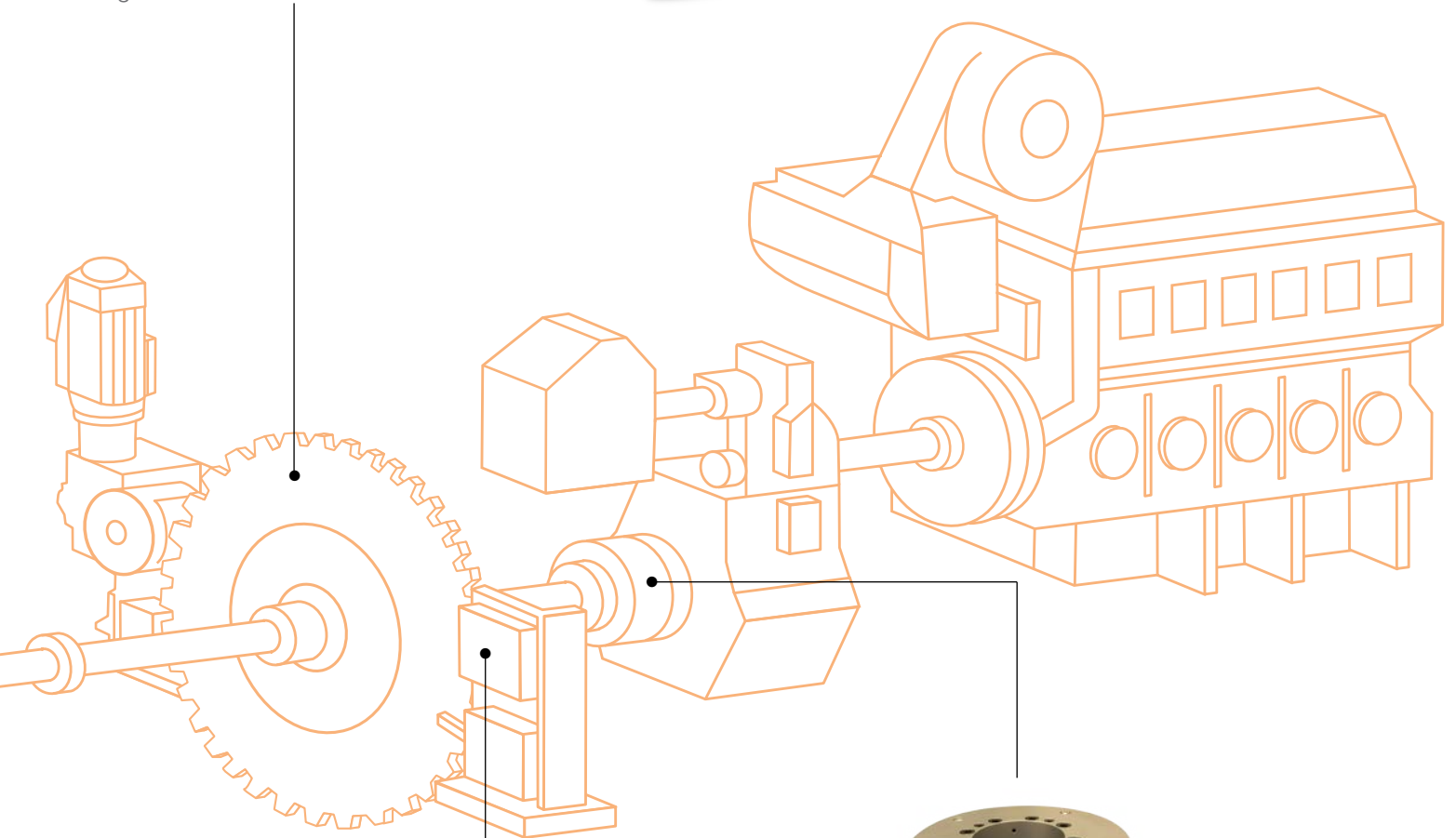
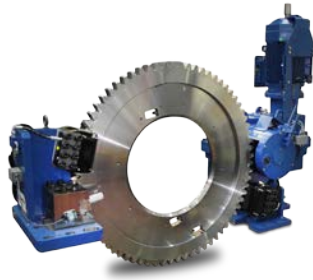
Unique flexible link-coupling to accommodate shaft misalignment. High shock resistance, non-magnetic and good sound attenuation properties.

Shaft Couplings
Ameridrives Couplings & Bibby Turboflex

Custom design, light-weight couplings, capable of transmitting high torques at high speeds while accepting significant angular, radial and axial misalignment. High speed couplings for turbine driven water jets.

Shaft Turning, Locking & Braking *Twiflex Limited*

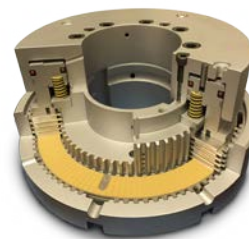
Integrated shaft turning and braking system with locking device. Turning torques in excess of 103,260 lbf ft. Optional local controls and split drive gear/disc.



Direct Applied, Hydraulic or Pneumatic, Fixed or Floating Shaft Brakes

Twiflex Limited & Svendborg Brakes

Direct (pressure applied) caliper brakes for dynamic shaft stopping and holding. Compact floating solutions for limited space and axial shaft movement.



Oil-Immersed Clutches & Brakes *Wichita Clutch*

Compact forced oil-cooled clutch and brake units for in-gearbox installation. High torque and power handling capability to suit a wide range of propulsion and PTO applications.

Optional unique seal key arrangement to simplify the clutch fitting process.

Torque capacities up to 106,285 lbf ft.

<p>Belted Drives and Sheaves</p> <p>TB Wood's <i>Belted Drives</i> Chambersburg, PA - USA 1-888-829-6637 – Press #5 <i>For application assistance:</i> 1-888-829-6637 – Press #7</p> <p>Couplings</p> <p>Ameridrives Couplings <i>Mill Spindles, Ameriflex, Ameridisc</i> Erie, PA - USA 1-814-480-5000 <i>Gear Couplings</i> San Marcos, TX - USA 1-800-458-0887</p> <p>Ameridrives Power Transmission <i>Universal Joints, Drive Shafts, Mill Gear Couplings</i> Green Bay, WI - USA 1-920-593-2444</p> <p>Bibby Turboflex <i>Disc, Gear, Grid Couplings, Overload Clutches</i> Dewsbury, England +44 (0) 1924 460801 Boksburg, South Africa +27(0) 11 918 4270</p> <p>Guardian Couplings <i>Engineered Flywheel Couplings, Engine Housings and Pump Mounts, Flexible Shaft Couplings</i> Michigan City, IN - USA 1-219-874-5248</p> <p>Huco Dynatork <i>Precision Couplings and Air Motors</i> Hertford, England +44 (0) 1992 501900 Chambersburg, PA - USA 1-888-829-6637</p>	<p>Couplings Cont.</p> <p>Lamiflex Couplings <i>Flexible Couplings, Bearing Isolators, and Coupling Guards</i> Cotia, SP - Brasil +55 (11) 4615-6300</p> <p>TB Wood's <i>Elastomeric Couplings</i> Chambersburg, PA - USA 1-888-829-6637 – Press #5 <i>For application assistance:</i> 1-888-829-6637 – Press #7 <i>General Purpose Disc Couplings</i> San Marcos, TX - USA 1-888-449-9439</p> <p>Electromagnetic Clutches and Brakes</p> <p>Inertia Dynamics <i>Spring Set Brakes; Power On and Wrap Spring Clutch/Brakes</i> New Hartford, CT - USA 1-800-800-6445</p> <p>Matrix International <i>Electromagnetic Clutches and Brakes, Pressure Operated Clutches and Brakes</i> Brechin, Scotland +44 (0) 1356 602000 New Hartford, CT - USA 1-800-825-6544</p> <p>Warner Electric <i>Electromagnetic Clutches and Brakes</i> New Hartford, CT - USA 1-800-825-6544 <i>For application assistance:</i> 1-800-825-9050 Saint Barthélemy d'Anjou, France +33 (0)2 41 21 24 24 <i>Precision Electric Coils and Electromagnetic Clutches and Brakes</i> Columbia City, IN - USA 1-260-244-6183</p>	<p>Engineered Bearing Assemblies</p> <p>Kilian Manufacturing <i>Engineered Bearing Assemblies</i> Syracuse, NY - USA 1-315-432-0700</p> <p>Gearing</p> <p>Bauer Gear Motor <i>Geared Motors</i> Esslingen, Germany +49 (711) 3518-0 Somerset, NJ - USA 1-732-469-8770</p> <p>Boston Gear <i>Enclosed and Open Gearing, Electrical and Mechanical P.T. Components</i> Charlotte, NC - USA 1-800-825-6544 <i>For application assistance:</i> 1-800-816-5608</p> <p>Nuttall Gear and Delroyd Worm Gear <i>Worm Gear and Helical Speed Reducers</i> Niagara Falls, NY - USA 1-716-298-4100</p> <p>Heavy Duty Clutches and Brakes</p> <p>Industrial Clutch <i>Pneumatic and Oil Immersed Clutches and Brakes</i> Waukesha, WI - USA 1-262-547-3357</p> <p>Svendborg Brakes <i>Industrial Brakes and Brake Systems</i> Vejstrup, Denmark +45 63 255 255</p> <p>Twiflex Limited <i>Caliper Brakes and Thrusters</i> Wichita Falls, TX - USA 1-844-723-3483 Twickenham, England +44 (0) 20 8894 1161</p>	<p>Heavy Duty Clutches and Brakes Cont.</p> <p>Wichita Clutch <i>Pneumatic Clutches and Brakes</i> Wichita Falls, TX - USA 1-800-964-3262 Bedford, England +44 (0) 1234 350311</p> <p>Linear Products</p> <p>Warner Linear <i>Linear Actuators</i> Belvidere, IL - USA 1-800-825-6544 <i>For application assistance:</i> 1-800-825-9050 Saint Barthélemy d'Anjou, France +33 (0)2 41 21 24 24</p> <p>Overrunning Clutches</p> <p>Formsprag Clutch <i>Overrunning Clutches and Holdbacks</i> Warren, MI - USA 1-800-348-0881 – Press #1 <i>For application assistance:</i> 1-800-348-0881 – Press #2</p> <p>Marland Clutch <i>Roller Ramp and Sprag Type Overrunning Clutches and Backstops</i> South Beloit, IL - USA 1-800-216-3515</p> <p>Stieber Clutch <i>Overrunning Clutches and Holdbacks</i> Heidelberg, Germany +49 (0) 6221-30470</p> <p><small>For information concerning our sales offices in Asia Pacific check our website www.altramotion.com.cn</small></p>
--	---	---	--

Customer Support

Twiflex Limited

1-844-723-3483
+44 (0)208 894 1161

Wichita Clutch

1-800-964-3262
+44 (0)1234 350311

